

D140S-9

Shaft Type Carriage(without S/S, Without F/M)					Rated Load Capacities		
Mast type	Maximum Fork Height	Maximum Lowered Height	Fully Extended Height	Free Lift	Double Pneumatic		
					Tilt Angle		Load Capacities
					With Load Backrest	With Load Backrest	LC600mm
	mm	mm	mm	mm	deg	deg	kg
STD	3,000	3,170	4,670		15	12	14,000
	3,500	3,420	5,170		15	12	14,000
	4,000	3,670	5,670		15	12	14,000
	4,500	3,920	6,170		15	12	14,000
	5,000	4,370	6,870		15	12	14,000
	5,500	4,620	7,370		15	12	14,000
	6,000	4,870	7,870		15	12	13,925
	6,500	5,120	8,370		15	12	13,500
	8,000	6,070	10,070		15	12	8,700
	8,500	6,320	10,570		15	12	7,250
FFT	3,700	2,930	5,335	1,380	15	8	14,000
	4,000	3,030	5,635	1,480	15	8	14,000
	4,500	3,195	6,135	1,645	15	8	13,950
	5,000	3,360	6,630	1,815	15	8	13,525
	5,500	3,530	7,135	1,980	15	8	13,100
	6,000	3,695	7,635	2,145	15	8	12,675

D160S-9

Shaft Type Carriage(without S/S, Without F/M)					Rated Load Capacities		
Mast type	Maximum Fork Height	Maximum Lowered Height	Fully Extended Height	Free Lift	Double Pneumatic		
					Tilt Angle		Load Capacities
					With Load Backrest	With Load Backrest	LC 600 mm
	mm	mm	mm	mm	deg	deg	kg
STD	3,000	3,170	4,670		15	12	16,000
	3,500	3,420	5,170		15	12	16000
	4,000	3,670	5,670		15	12	16,000
	4,500	3,920	6,170		15	12	16,000
	5,000	4,370	6,870		15	12	16,000
	5,500	4,620	7,370		15	12	15,950
	6,000	4,870	7,870		15	12	15,475
	6,500	5,120	8,370		15	12	15,000
	8,000	6,070	10,070		15	12	8,550
	8,500	6,320	10,570		15	12	7,125
FFT	3,700	2,930	5,335	1,380	15	8	16,000
	4,000	3,030	5,635	1,480	15	8	16,000
	4,500	3,195	6,135	1,645	15	8	15,525
	5,000	3,360	6,630	1,815	15	8	15,075
	5,500	3,530	7,135	1,980	15	8	14,600
	6,000	3,695	7,635	2,145	15	8	14,150

Note : Mast Specifications & Rated Capacities are based on standard chassis with pneumatic tire and without side shifter.

DV160S-9

Shaft Type Carriage(without S/S, Without F/M)					Rated Load Capacities		
Mast type	Maximum Fork Height	Maximum Lowered Height	Fully Extended Height	Free Lift	Double Pneumatic		
					Tilt Angle		Load Capacities
					With Load Backrest	With Load Backrest	LC 1,200 mm
	mm	mm	mm	mm	deg	deg	kg
STD	3,000	3,245	4,715		10	10	16,000
	3,500	3,495	5,215		10	10	16000
	4,000	3,745	5,715		10	10	16,000
	4,500	3,995	6,215		10	10	16,000
	5,000	4,245	6,715		10	10	15,800
	6,000	4,745	7,715		10	10	15,100
	FFT	4,500	2,940	5,930	1,550	10	10
5,000		3,110	6,440	1,720	10	10	15,000
6,000		3,440	7,430	2,050	10	10	14,350

Note : Mast Specifications & Rated Capacities are based on standard chassis with pneumatic tire and without side shifter.

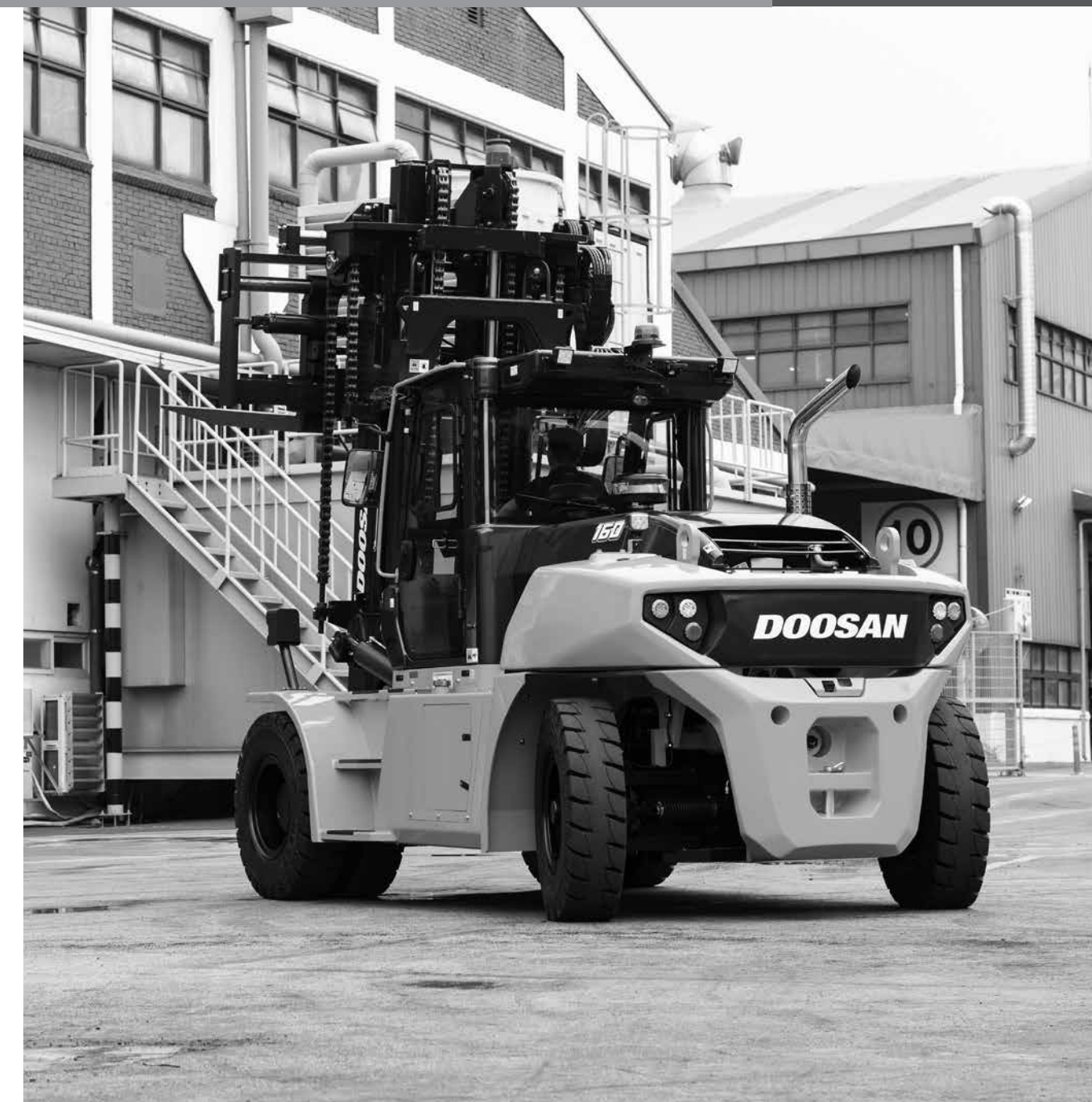


D100S-9 / D120S-9 / D140S-9 / D160S-9 / DV160S-9

## 9-SERIES FORKLIFTS

Pneumatic Diesel 10.0 to 16.0 ton capacity

Euro Stage V



EUD160S9-220104ENv1 (January 2022)



Doosan Industrial Vehicle Europe nv

Europark-Noord 36A  
9100 Sint-Niklaas  
Belgium

Tel.: +32 3 760 09 87  
Fax: +32 3 760 09 89  
Website: [www.doosan-iv.eu](http://www.doosan-iv.eu)

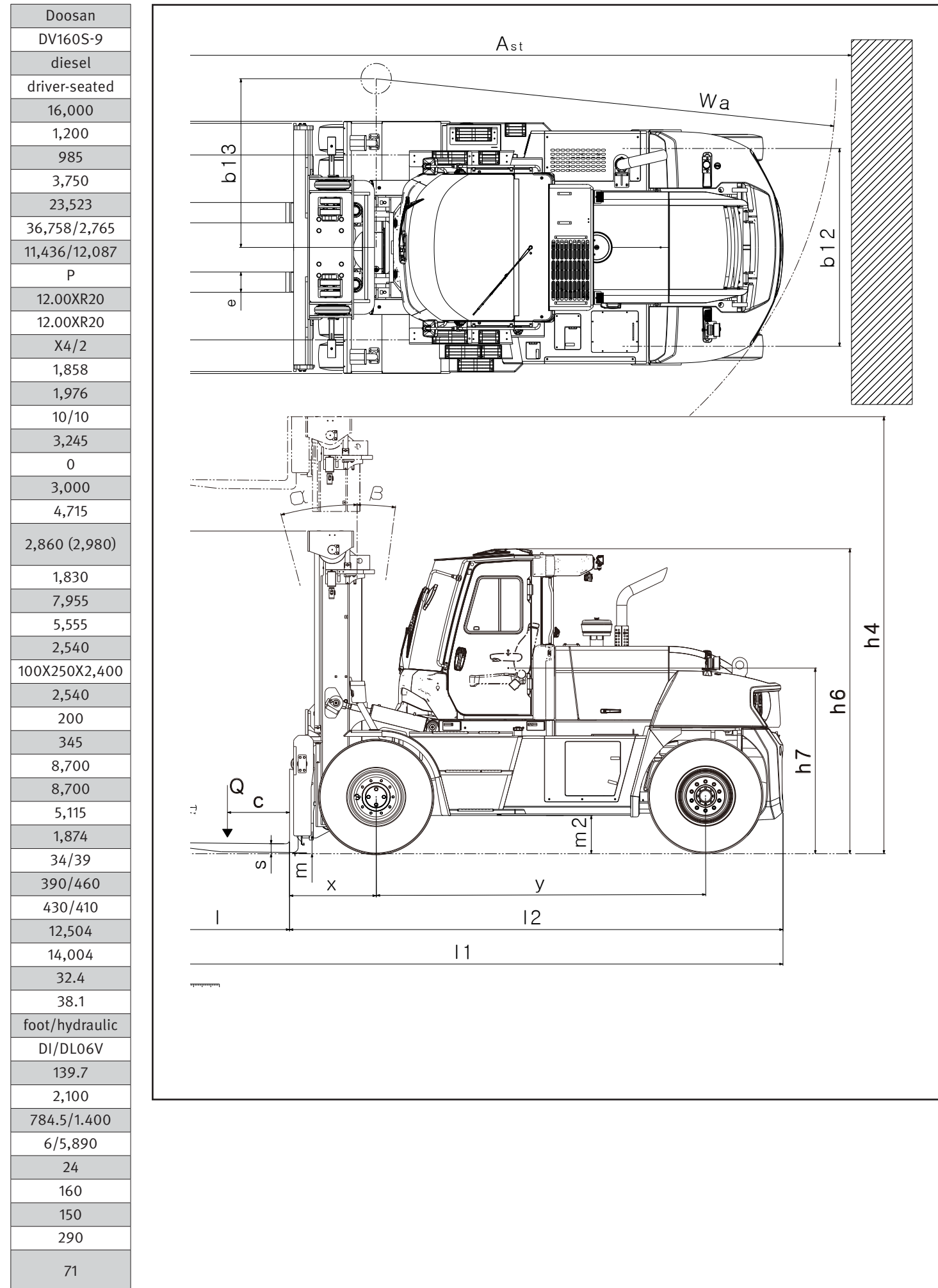
Authorized Dealer

# GENERAL SPECIFICATIONS

CHARACTERISTICS	1.1 Manufacturer		Doosan					
	1.2 Model		D100S-9	D120S-9	D140S-9	D160S-9		
WEIGHT	1.3 Power type		diesel					
	1.4 Operator type		driver-seated					
TYRES	1.5 Load capacity		Q	kg	10,000	12,000	14,000	16,000
	1.6 Load center		c	mm	600			
DIMENSIONS	1.8 Load distance: Center of drive axle to fork		x	mm	755	770	815	
	1.9 Wheel base		y	mm	3,000	3,000	3,250	3,250
PERFORMANCE	2.1 Service weight		kg		15,278	16,278	18,300	19,300
	2.2 Axle Loading, loaded, front/rear		kg		22,102/3,176	25,055/3,223	28,864/3,436	31,761/3,539
ADDITIONAL DATA	2.3 Axle Loading, unloaded, front/rear		kg		7,585/7,693	7,595/8,683	8,769/9,531	8,794/10,506
	3.1 Tyres: pneumatic (P), solid (S)		P/S					
PERFORMANCE	3.2 Tyre size, Front		10.00X20-16PR		12.00X20-18PR	12.00X20-20PR		
	3.3 Tyre size, Rear		10.00X20-16PR		12.00X20-18PR	12.00X20-20PR		
DIMENSIONS	3.5 Wheels, number Front/Rear (x = driven wheels)		X4/2					
	3.6 Tread, front		b10	mm	1,724		1,825	
PERFORMANCE	3.7 Tread, rear		b11	mm	1,910		1,950	
	4.1 Tilt of mast/fork carriage forward/backward		$\alpha/\beta$	°	15/12			
DIMENSIONS	4.2 Height, mast lowered		h1	mm	2,965		3,170	
	4.3 Free lift		h2	mm	0			
PERFORMANCE	4.4 Lift		h3	mm	3,000			
	4.5 Height, mast extended		h4	mm	4,465	4,465	4,670	4,670
DIMENSIONS	4.7 Height over overhead guard (cabin) (without strobe light)		h6	mm	2,830 (2,950)	2,830 (2,950)	2,860 (2,980)	
	4.8 Height of seat		h7	mm	1,800		1,830	
PERFORMANCE	4.19 Overall length		l1	mm	5,840	5,850	6,180	
	4.20 Length to fork face		l2	mm	4,490	4,500	4,830	
DIMENSIONS	4.21 Overall width		b1	mm	2,350		2,490	
	4.22 Forks (thickness x width x length)		mm		70X200X1,350		80X200X1,350	
PERFORMANCE	4.24 Fork carriage width		b3	mm	2,270		2,450	
	4.31 Ground clearance, loaded, below mast		m1	mm	240		235	
DIMENSIONS	4.32 Ground clearance, loaded, center of wheel base		m2	mm	315		345	
	4.33 Aisle width for pallets 1000X1200, wide		Ast	mm	6,560	6,570	6,910	6,910
PERFORMANCE	4.34 Aisle width for pallet 800X1200, long		Ast	mm	6,560	6,570	6,910	6,910
	4.35 Outer turning radius		Wa	mm	4,255	4,255	4,545	4,545
DIMENSIONS	4.36 Inner turning radius		b13	mm	1,567	1,567	1,665	1,665
	5.1 Travel speed, loaded/unloaded		km/h		36/41	35/40	30/35	29/34
PERFORMANCE	5.2 Lift speed, loaded/unloaded		mm/s		460/490	450/490	410/460	400/460
	5.3 Lowering speed, loaded/unloaded		mm/s		430/410			
DIMENSIONS	5.5 Drawbar pull, loaded at 1.6 km/h		kg		11,544	11,474	12,534	12,464
	5.6 Max. drawbar pull, loaded		kg		14,605	14,505	16,606	16,506
PERFORMANCE	5.7 Gradeability, loaded at 1.6 km/h		%		51.0	44.0	43.0	38.0
	5.8 Max. gradeability, loaded		%		70.9	66.0	61.0	53.8
ADDITIONAL DATA	5.10 Service brake		foot/hydraulic					
	7.1 Engine Manufacturer/type		DI/DL06V					
IC ENGINE	7.2 Engine power		kW/rpm		128.7			
	7.3 Rated Speed		min-1		2,100			
PERFORMANCE	7.3.1 Max. Torque		N•m		725.7/1,400			
	7.4 Cylinders/displacement		cc		6/5,890			
ADDITIONAL DATA	7.9 Battery voltage		V		24			
	10.1 Hydraulic pressure for attachments		bar		160			
PERFORMANCE	10.2 Oil volume for attachments		l/min		150			
	10.4 Fuel Tank Capacity		l		195	195	235	235
ADDITIONAL DATA	10.7 Sound level at th driver's ear according to EN 12053		dB(A)		71			

Note : Specification values quoted in this specification sheet have been rounded. Performance may vary due to operation conditions. Products and specifications are subject to improvement and change without prior notices.

# DIMENSIONAL DRAWING



# MAST SPECIFICATIONS and RATED CAPACITIES

Mast type	Shaft Type Carriage (without S/S, Without F/M)				Rated Load Capacities		
	Maximum Fork Height	Maximum Lowered Height	Fully Extended Height	Free Lift	Tilt Angle		Load Capacities
					With Load Backrest	With Load Backrest	
	mm	mm	mm	mm	deg	deg	kg
STD	2,500	2,715	3,965		15	12	10,000
	3,000	2,965	4,465		15	12	10,000
	3,500	3,215	4,965		15	12	10,000
	4,000	3,465	5,465		15	12	10,000
	4,500	3,715	5,965		15	12	10,000
	5,000	4,165	6,665		15	12	10,000
FFT	5,300	4,115	6,765	1,380	15	12	10,000
	5,500	4,415	7,165		15	12	10,000
	6,000	4,665	7,665		15	12	10,000
	4,000	2,815	5,505	1,380	15	8	10,000
	4,500	2,980	6,000	1,550	15	8	10,000
	5,000	3,145	6,500	1,715	15	8	10,000
	5,500	3,315	7,005	1,880	15	8	10,000
	6,000	3,480	7,500	2,050	15	8	10,000

Mast type	Shaft Type Carriage(Without S/S, Without F/M)				Rated Load Capacities		
	Maximum Fork Height	Maximum Lowered Height	Fully Extended Height	Free Lift	Tilt Angle		Load Capacities
					With Load Backrest	With Load Backrest	
	mm	mm	mm	mm	deg	deg	kg
STD	2,500	2,715	3,965		15	12	12,000
	3,000	2,965	4,465		15	12	12,000
	3,500	3,215	4,965		15	12	12,000
	4,000	3,465	5,465		15	12	12,000
	4,500	3,715	5,965		15	12	12,000
	5,000	4,165	6,665		15	12	12,000
FFT	5,300	4,115	6,765	1,390	15	12	12,000
	5,500	4,415	7,165		15	12	12,000
	6,000	4,665	7,665		15	12	12,000
	4,000	2,815	5,505	1,390	15	8	12,000
	4,500	2,980	6,000	1,560	15	8	12,000
	5,000	3,145	6,500	1,725	15	8	12,000
	5,500	3,315	7,005	1,890	15	8	11,800
	6,000	3,480	7,500	2,060	15	8	11,425

Note : Mast Specifications & Rated Capacities are based on standard chassis with pneumatic tire and without side shifter.