



B40X-7 / B45X-7 / B50XC-7 / B50X-7

7-SERIES FORKLIFTS

Electric 4.0 to 5.0 ton capacity
4 wheel



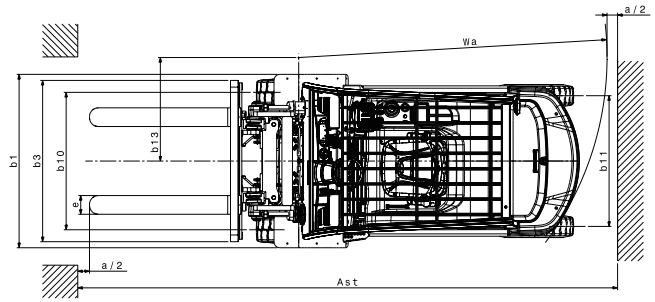
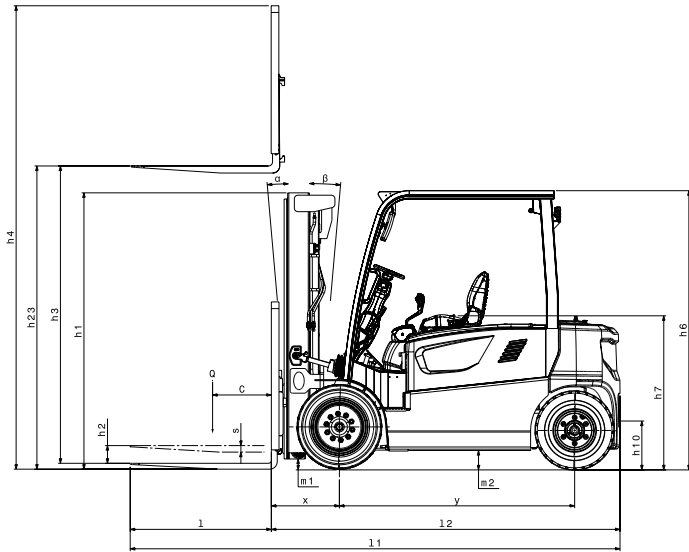
Technical Data according to VDI 2198

Characteristics	1.1	Manufacturer			DOOSAN	
	1.2	Manufacturer's type designation			B40X-7	
	1.3	Drive : electric(battery or mains) ,diesel, petrol ,fuel gas, manual			Electric	
	1.4	Operator type : hand, pedestrian, standing, seated, order-picker			Driver seated	
	1.5	Load capacity/rated load	kg	Q	4,000	
	1.6	Load centre distance	mm	c	500	
	1.8	Load distance, centre of drive axle to fork	mm	x	572	
	1.9	Wheelbase	mm	y	2,000	
Weight	2.1	Service weight (with min. weight of battery)	kg		7,012	
	2.2	Axle loading, loaded front/rear	kg		9,874 / 1,138	
	2.3	Axle loading, unloaded front/rear	kg		3,730 / 3,282	
Tyres	3.1	Tires: pneumatic (P), superelastic (SE), cushion (C)			SE	
	3.2	Tire size, front			250 - 15	
	3.3	Tire size, rear			7.00 - 12	
	3.5	Wheels, number front/rear (x=driven wheels)			2x/2	
	3.6	Tread width, front	mm	b11	1,168	
	3.7	Tread width, rear	mm	b12	1,111	
	Dimensions	4.1	Tilt of mast/fork carriage forward (α)/backward(β)	deg	α / β	6 / 9
4.2		Height, mast lowered	mm	h1	2,330	
4.3		Free lift	mm	h2	160	
4.4		Lift (with STD 2-stage mast)	mm	h3	3,250	
		Lift height		h23	3,300	
4.5		Height, mast extended	mm	h4	4,170	
4.7		Height to top of overhead guard	mm	h6	2,340	
4.8		Seat height/stand height	mm	h7	1,297	
4.12		Towing coupling height	mm	h10	415	
4.19		Overall length	mm	l1	4,007	
4.20		Length to face of forks	mm	l2	2,957	
4.21		Overall width	mm	b1	1,470	
4.22		Fork dimensions	mm	s / e / l	50 / 150 / 1,200	
4.23		Fork carriage ISO 2328. Class/type A, B			III A	
4.24		Fork carriage width	mm	b3	1,250	
4.24a		Fork Spacing (min/max)	mm		310 x 1182	
4.31		Ground clearance, with load, below mast	mm	m1	120	
4.32		Ground clearance, centre of wheelbase	mm	m2	160	
Performance		5.1	Travel speed, loaded / unloaded	km/h		15 / 16
		5.2	Lift speed, loaded / unloaded	mm/s		0.35 / 0.47
	5.3	Lowering speed, loaded / unloaded	mm/s		0.48 / 0.45	
	5.6	Maximum drawbar pull, loaded / unloaded, 5 minute rating	N		18620 / 18620	
	5.8	Maximum gradeability, loaded / unloaded, 5 minute rating	%		17 / 27	
	5.10	Service brake			FOOT / HYD	
		Parking brake			HAND / MECH	
	Electrical engine	6.1	Drive motor rating S2 60 minute	kW		10 X 2
		6.2	Lift motor rating at S3 15%	kW		28
		6.3	Battery acc. to DIN 43531 /35/36 A, B, C, no			DIN43536A
6.4		Battery voltage/nominal capacity K5	V/Ah		80 / 720	
6.5		Battery weight (min)	kg		2,160	
		Battery dimensions L/W/H	mm		990 / 1,028 / 784	
Others	8.1	Type of drive control unit			Inverter AC	
	8.2	Operating pressure for attachments	bar	System	190	
				Attachment	155	
	8.4	Sound level at the driver's ear according to EN 12 053	dB (A)		70	

Note: Specification values quoted in this specification sheet has been rounded. Performance may vary due to operation conditions.
Products and specifications are subject to improvement and change without prior notices.

DOOSAN	DOOSAN	DOOSAN
B45X-7	B50XC-7	B50X-7
Electric	Electric	Electric
Driver seated	Driver Seated	Driver Seated
4,500	4,990	5,000
500	500	500
572	572	572
2,000	2,000	2,000
7,427	7,734	7,763
10,607 / 1,320	11,415 / 1,318	11,450 / 1,312
3,695 / 3,732	3,735 / 3,998	3,770 / 3,992
SE	SE	SE
28 x 12.5 - 15	28 x 12.5 - 15	28 x 12.5 - 15
7.00 - 12	7.00 - 12	7.00 - 12
2x/2	2x/2	2x/2
1,160	1,160	1,160
1,111	1,111	1,111
6 / 9	6 / 9	6 / 9
2,340	2,340	2,340
160	160	160
3,250	3,250	3,250
3,300	3,300	3,300
4,180	4,180	4,205
2,335	2,335	2,335
1,303	1,303	1,303
415	415	415
4,007	4,037	4,037
2,957	2,987	2,987
1,470	1,470	1,470
50 / 150 / 1,200	50 / 150 / 1,200	50 / 150 / 1,200
III A	III A	IV A
1,250	1,250	1,330
310 x 1,182	310 x 1,182	340 x 1,290
130	130	130
160	160	160
4,392	4,417	4,417
4,592	4,617	4,617
2,620	2,645	2,645
879	879	879
15 / 16	15 / 16	15 / 16
0.35 / 0.47	0.31 / 0.47	0.31 / 0.47
0.48 / 0.45	0.48 / 0.45	0.48 / 0.45
18,620 / 18,620	18,620 / 18,620	18,620 / 18,620
16 / 26	15 / 25	15 / 25
FOOT / HYD	FOOT / HYD	FOOT / HYD
HAND / MECH	HAND / MECH	HAND / MECH
10 X 2	10 X 2	10 X 2
28	28	28
DIN43536A	DIN43536A	DIN43536A
80 / 720	80 / 720	80 / 720
2,160	2,160	2,160
990 / 1,028 / 784	990 / 1,028 / 784	990 / 1,028 / 784
Inverter AC	Inverter AC	Inverter AC
210	230	230
155	155	155
70	70	70

Dimensional Drawing



MAST SPECIFICATION and RATED CAPACITIES

B40X-7

Mast Type	Max. Fork Height	Mast Lowered Height	Extended Height	Free Lift	Rated Load Capacities		
			w/ Load Backrest	w/ Load Backrest	Tilt Angle		Load capacities
	mm	mm	mm	mm	Fwd deg	Bwd deg	LC 500mm kg
STD	3,000	2,190	4,265	160	6	9	4,000
	3,300	2,340	4,565	160	6	9	4,000
	3,650	2,515	4,915	160	6	9	4,000
	4,000	2,840	5,265	160	6	9	4,000
	4,250	2,965	5,515	160	6	9	4,000
	4,850	3,415	6,115	160	6	5	4,000
FF	3,000	2,170	4,240	970	6	9	4,000
FFT	4,000	2,050	5,265	850	6	9	4,000
	4,250	2,140	5,530	940	6	9	4,000
	4,700	2,290	5,980	1,090	6	9	4,000
	5,150	2,440	6,430	1,240	6	5	3,940
	5,600	2,590	6,880	1,390	6	5	3,810
	6,050	2,740	7,330	1,540	6	3	3,670

B45X-7

Mast Type	Max. Fork Height	Mast Lowered Height	Extended Height	Free Lift	Rated Load Capacities		
			w/ Load Backrest	w/ Load Backrest	Tilt Angle		Load capacities
	mm	mm	mm	mm	Fwd deg	Bwd deg	LC 500mm kg
STD	3,000	2,185	4,265	160	6	9	4,500
	3,300	2,335	4,565	160	6	9	4,500
	3,650	2,510	4,915	160	6	9	4,500
	4,000	2,835	5,265	160	6	9	4,500
	4,250	2,960	5,515	160	6	9	4,500
	4,850	3,410	6,115	160	6	5	4,500
FF	3,000	2,165	4,240	965	6	9	4,500
FFT	4,000	2,050	5,265	850	6	9	4,500
	4,250	2,135	5,530	935	6	9	4,500
	4,700	2,285	5,980	1,085	6	9	4,500
	5,150	2,435	6,430	1,235	6	5	4,500
	5,600	2,585	6,880	1,385	6	5	4,350
	6,050	2,735	7,330	1,535	6	3	4,225

B50XC-7

Mast Type	Max. Fork Height	Mast Lowered Height	Extended Height	Free Lift	Rated Load Capacities		
			w/ Load Backrest	w/ Load Backrest	Tilt Angle		Load capacities
	mm	mm	mm	mm	Fwd deg	Bwd deg	LC 500mm kg
STD	3,000	2,185	4,415	160	6	9	4,990
	3,300	2,335	4,715	160	6	9	4,990
	3,650	2,510	5,065	160	6	9	4,990
	4,000	2,835	5,415	160	6	9	4,990
	4,250	2,960	5,665	160	6	9	4,990
	4,850	3,410	6,265	160	6	5	4,990
FF	3,000	2,165	4,240	965	6	9	4,990
FFT	4,000	2,050	5,265	850	6	9	4,990
	4,250	2,135	5,530	935	6	9	4,990
	4,700	2,285	5,980	1,085	6	9	4,990
	5,150	2,435	6,430	1,235	6	5	4,810
	5,600	2,585	6,880	1,385	6	5	4,660
	6,050	2,735	7,330	1,535	6	3	4,480

B50X-7

Mast Type	Max. Fork Height	Mast Lowered Height	Extended Height	Free Lift	Rated Load Capacities		
			w/ Load Backrest	w/ Load Backrest	Tilt Angle		Load capacities
	mm	mm	mm	mm	Fwd deg	Bwd deg	LC 500mm kg
STD	3,000	2,185	4,415	160	6	9	5,000
	3,300	2,335	4,715	160	6	9	5,000
	3,650	2,510	5,065	160	6	9	5,000
	4,000	2,835	5,415	160	6	9	5,000
	4,250	2,960	5,665	160	6	9	5,000
	4,850	3,410	6,265	160	6	5	5,000
FF	3,000	2,165	4,390	815	6	9	5,000
FFT	4,000	2,050	5,415	700	6	9	5,000
	4,250	2,135	5,680	785	6	9	5,000
	4,700	2,285	6,130	935	6	9	5,000
	5,150	2,435	6,580	1,085	6	5	4,810
	5,600	2,585	7,030	1,235	6	5	4,660
	6,050	2,735	7,480	1,385	6	3	4,480

Note : Mast Specifications & Rated Capacities are based on standard chassis with pneumatic tire and without side shifter.

B50X-7-181107ENV1 (November 2018)



Doosan Industrial Vehicle Europe nv

Europark-Noord 36A

9100 Sint-Niklaas

België

Tel.: +32 3 760 09 87

Fax: +32 3 760 09 89

Website : www.doosan-iv.eu

