

**CMC**  
THE SPECIALIFT

**HD SERIES**  
HEAVY DUTY





# HD SERIES

HEAVY DUTY

**Strong, agile, high-performance.  
Ready to perform in any conditions.**

Two platforms designed for the toughest jobs, which combine the great strength of the undercarriage with the maximum agility of the aerial part, composed of a single pantograph with a telescopic boom.

Thanks to their compact design, long outreach and articulated outriggers with high levelling capabilities, the HD series platforms are the undisputed leaders of the work in extreme conditions, with maximum operating working heights between 19m and 22m . They are able to operate in any condition and on any terrain and ensure maximum efficiency and safety, thanks to the Self Control System by CMC, an electronic system that automatically carries out most of the control and stabilisation operations.

**S19HD**



**S22HD**



# BENEFITS



## Easy to transport

Strong, but contained in weight, the CMC HD Series platforms are self-loading and easy to transport on a trailer. Thanks to their compact dimensions, they are also able to fit through a standard door.

## Versatile to use

With their compact design, long lateral outreach, articulated outriggers with high levelling capability, and with the support of the automatic control system, the CMC HD Series platforms can reach anywhere and operate in all conditions.



## Simply to use

The HD series platforms are equipped with the Self Control System by CMC, an electronic system that automatically carries out a series of operations: outrigger levelling, boom's movements control, closing of the aerial part, and reporting of any malfunctions.

# FEATURES

200 bar air/water hose and 230V and 12V socket in the basket

Radio remote control



Self Control System by CMC

Self-diagnosis display

Several engines available

Electro-hydraulic proportional controls

Protective cover on the cylinder of the outriggers

Multiple Stabilisation areas



## Some available options

	<b>S19HD</b>	<b>S22HD</b>
Kubota Z602 diesel engine	●	●
Full lithium battery version (160Ah)	●	●
230V, 120V, 110V electric motor	●	●
Hydraulically adjustable undercarriage	●	●
Basket rotation (+90°/-87°)	●	●
Non-marking grey tracks	●	●
Double travel speed	●	●
1 or 2 man fibreglass basket	●	●
2 man basket with quick release system and wheels		●
Remote connection with Sim Card and GPS Locator	●	●
Fixed control station in the basket	●	●
Customisable colours	●	●

# CMC PLATFORMS APPLICATIONS



**Refurbishment building works**  
even in places with difficult access  
such as worship places, historical  
buildings, hotels, and shopping  
centres.

**Facilities management**  
mainly in restricted traffic areas or in  
locations that are difficult for  
truck-mounted platforms.



**Pruning tall trees**  
and even operating in tight spaces  
inside private homes on particularly  
delicate turf.





# TECHNICAL DATA

# S19HD

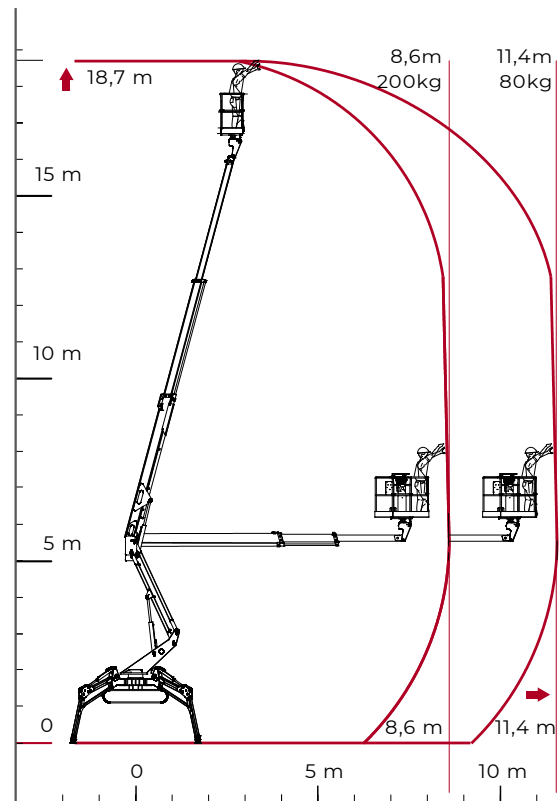
## PERFORMANCE AND DIMENSIONS



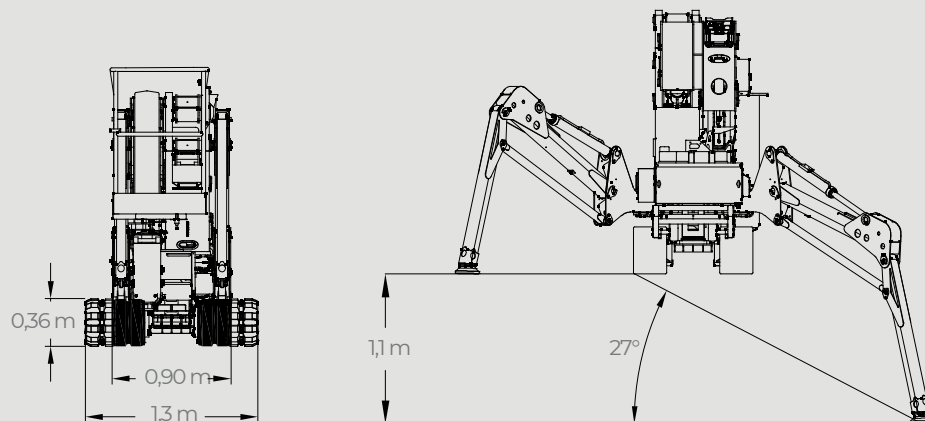
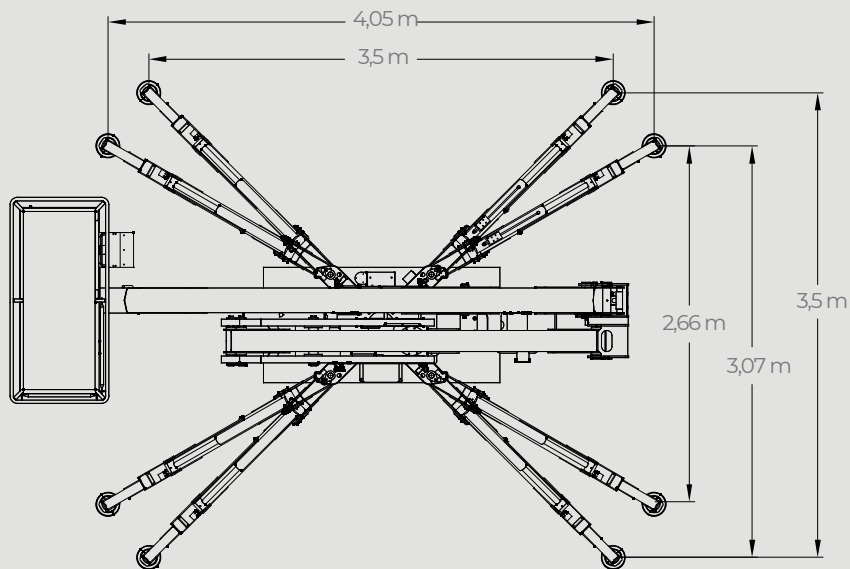
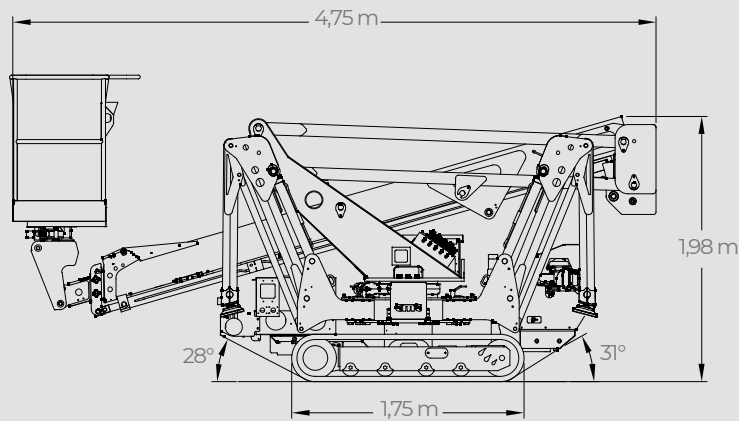
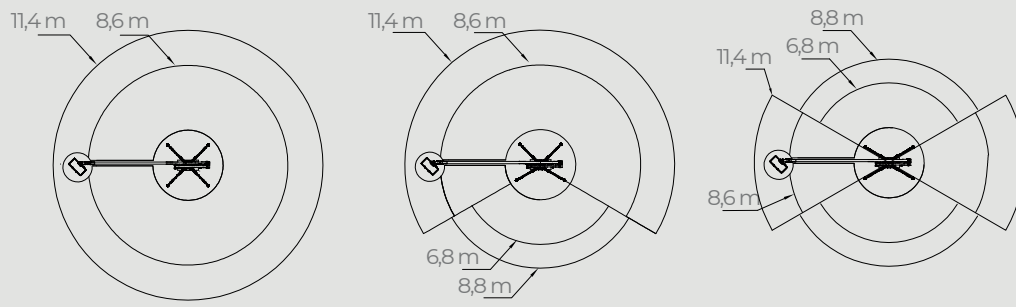
### Main features

This articulated platform with pantograph and telescopic boom offers outstanding performance thanks to its outriggers of high levelling capacity. Designed for maximum work performance on the toughest terrain, it's an excellent alternative to a truck-mounted platform.

Max. working height	<b>18,7 m</b>
Max. outreach	<b>11,4 m</b>
Platform height	<b>16,7 m</b>
Max. load in basket	<b>200 kg</b>
Basket dimensions	<b>1,4 x 0,7 x 1,1 m</b>
Basket rotation	<b>+90°/-87° (options)</b>
Turret rotation	<b>+/- 355° (710° continuous)</b>
Total weight	<b>2666 Kg</b>







\*data may can change due to updates of components

# TECHNICAL DATA

# S22HD

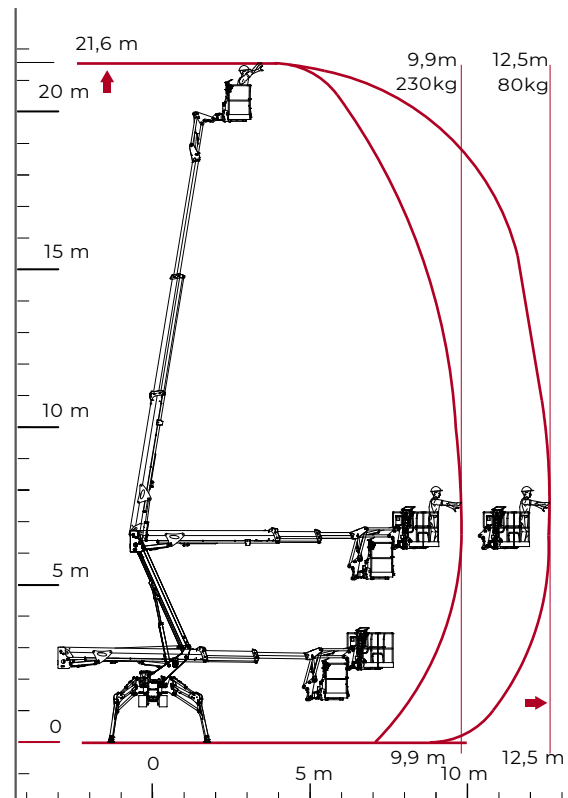
## PERFORMANCE AND DIMENSIONS

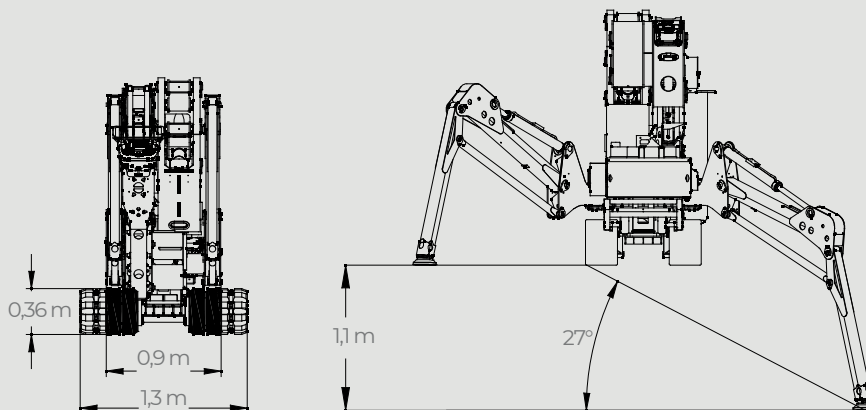
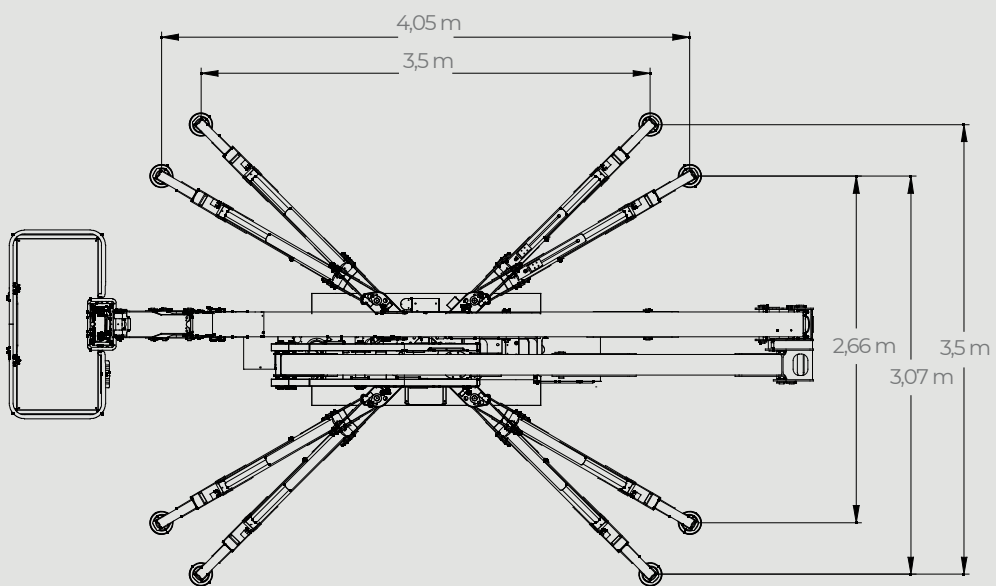
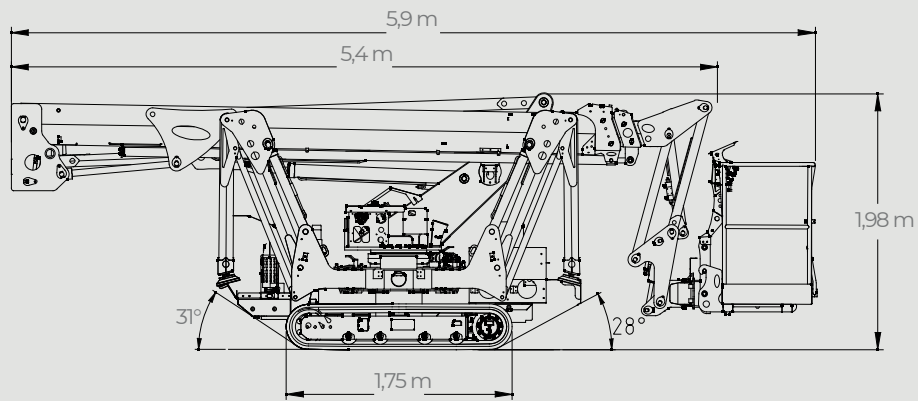
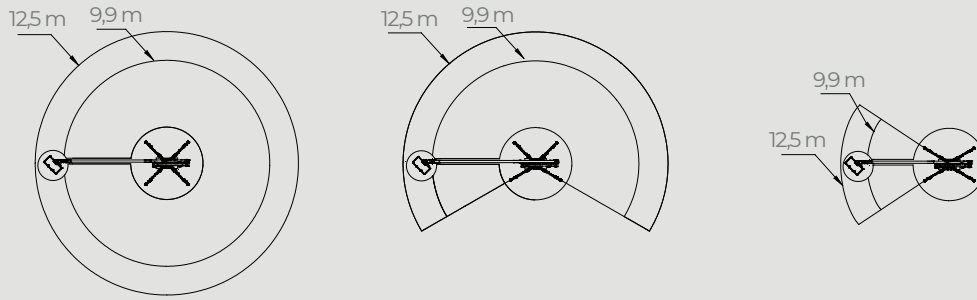


### Main features

An articulated platform with a pantograph and a two-stage telescopic boom plus jib. This combination, together with its outriggers of high levelling capacity, three working areas and long horizontal outreach, makes it ideal for all outdoor works, even in extreme conditions.

Max. working height	<b>21,6 m</b>
Max. outreach	<b>12,5 m</b>
Platform height	<b>19,6 m</b>
Max. load in basket	<b>230 kg</b>
Basket dimensions	<b>1,4 x 0,7 x 1,1 m</b>
Basket rotation	<b>+/-90° (options)</b>
Turret rotation	<b>+/- 355° (710° continuous)</b>
Total weigh	<b>3005 Kg</b>





\*data may can change due to updates of components

## CMC SELF-PROPELLED CRAWLER PLATFORMS

### F SERIES

MODEL	MAX. WORKING HEIGHT	MAX. OUTREACH	WEIGHT
S13F	12,9 m	8,5 m	1565 Kg
S15F	14,8 m	8,7 m	2378 Kg
S18F	17,78 m	11,15 m	2495 Kg

### LC SERIES

MODEL	MAX. WORKING HEIGHT	MAX. OUTREACH	WEIGHT
S15	14,9 m	6,9 m	1820 Kg
S19E	18,7 m	9,3 m	2545 Kg
S19N	18,9 m	9,5 m	2435 Kg
S23	23 m	12,4 m	2865 Kg

### HD SERIES

MODEL	MAX. WORKING HEIGHT	MAX. OUTREACH	WEIGHT
S19HD	18,7 m	11,4 m	2666 Kg
S22HD	21,6 m	12,5 m	3005 Kg

### DP SERIES

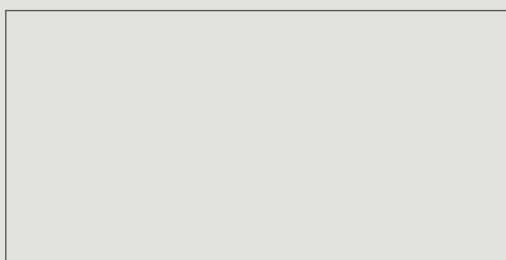
MODEL	MAX. WORKING HEIGHT	MAX. OUTREACH	WEIGHT
S27	27,3 m	15,4 m	4094 Kg
S30	30,3 m	15,4 m	4270 Kg
S32	32 m	16 m	7240 Kg

### XL SERIES

MODEL	MAX. WORKING HEIGHT	MAX. OUTREACH	WEIGHT
S41	41 m	19 m	13460 Kg

### i SERIES

MODEL	MAX. WORKING HEIGHT	MAX. OUTREACH	WEIGHT
i23	23 m	10 m	3930 Kg



**CMC**  
THE SPECIALIFT

Via Bitritto, 119 - 70124 BARI - ITALY  
Tel. +39 080 532 66 06 - Fax +39 080 536 85 41  
www.cmclift.com - info@cmclift.com

Follow us on

