

CMC
THE SPECIALIFT

DP SERIES
DOUBLE PERFORMANCE





DP SERIES

DOUBLE PERFORMANCE

Double telescopic boom, high technology, high performance squared.

A family of true champions that offers incredible performance. This is the result of their low weight, which is made possible by the choice of high-performance materials, the outstanding manoeuvrability, with the automatic control system so advanced technologically but very simple and intuitive to use and the multiple stabilisation areas which are electronically controlled. All these characteristics make them efficient to work in any conditions.

Available in three versions, with the working heights of 27m, 30m and 32m, all with double telescopic boom and jib, they are able to reach anywhere thanks to their long lateral outreach and also the ability to work in negative.

S27



S30



S32



BENEFITS



Easy to transport

As high in performance, as they are low in weight and compact in size, CMC DP series platforms are self-loading and easy to transport on a truck.

Versatile to use

With their exceptional working height, long lateral outreach, ability to work in negative, high levelling and stabilising capabilities, with the support of the automatic guidance and control system, CMC DP series platforms can go anywhere and operate in any conditions.



Simply to use

The DP series platforms are equipped with the Self Control System developed by CMC, an electronic system that automatically carries out a series of operations such as stabilisation, levelling, speed and smooth control of the booms and the closing of the aerial part.

FEATURES

200 bar air/water hose and 230V and 12V socket in the basket

Two-man basket with quick release system and wheels

Radio remote control with color display



Self-diagnosis display

Self Control System by CMC

Basket rotation +/-90°(180°) with hydraulic engine

Electro-hydraulic proportional controls

Several engines available

Protective cover on the cylinder of the outriggers

Multiple Stabilisation areas

Hydraulically adjustable undercarriage in height and width

Some available options

	S27	S30	S32
Version with lithium battery (200Ah)	●	●	
Version with lithium battery (300Ah)			●
Hybrid version (diesel engine + lithium batteries)	●	●	●
230V, 120V or 110V electric motor	●	●	
380V, 230V, 120V or 110V electric motor			●
Grey non-marking tracks	●	●	●
1 or 2 man fibreglass basket	●	●	●
Remote connection with Sim Card and GPS Locator	●	●	●
Fixed control station in basket	●	●	
Customised colours	●	●	●

CMC PLATFORMS APPLICATIONS



Renovation works

even in places with difficult access such as worship places, historical buildings, hotels, and shopping centres.

Facilities management
in mainly restricted traffic areas or in locations that are difficult for truck-mounted platforms.



Pruning tall trees

and even operating in tight spaces inside private homes on particularly delicate turf.



TECHNICAL DATA

S27

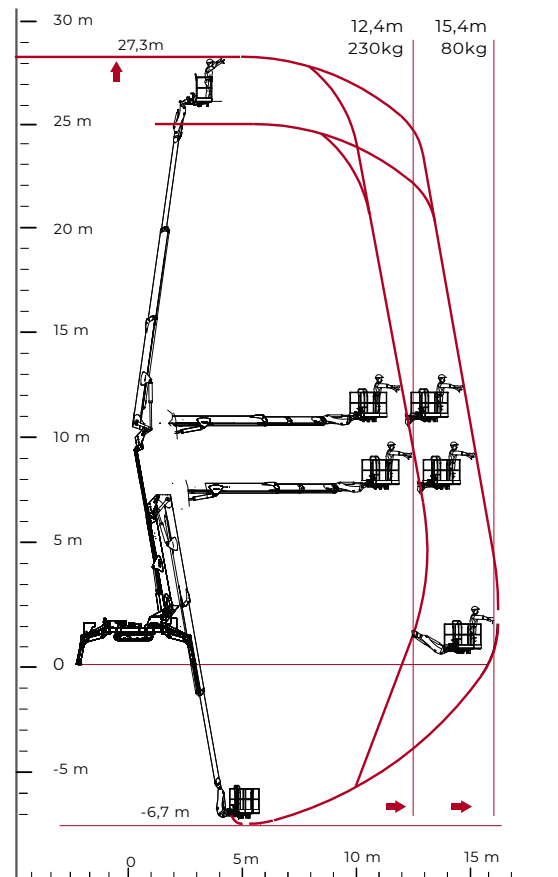
PERFORMANCE AND DIMENSION

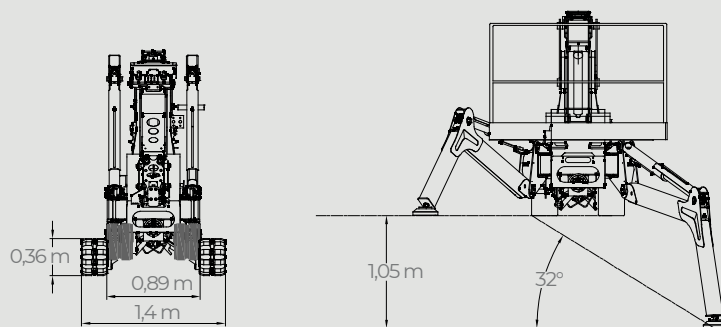
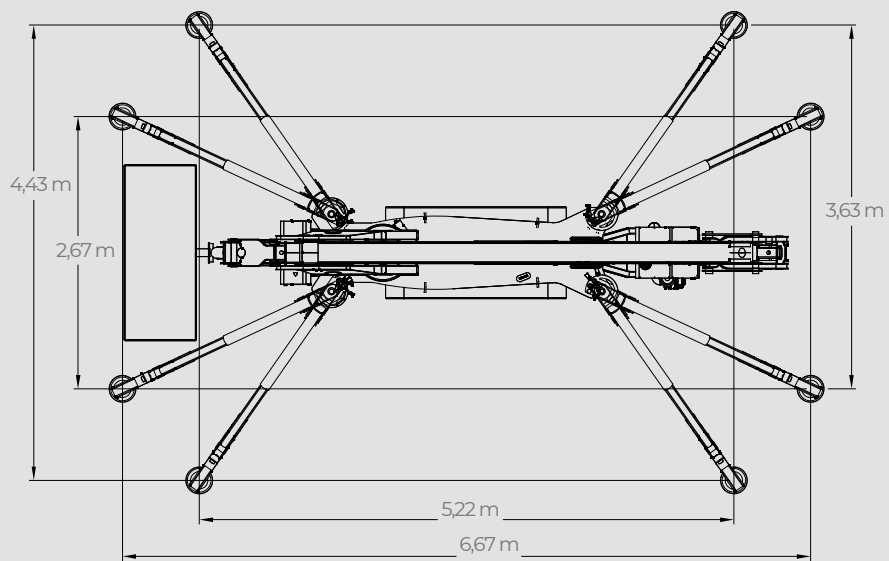
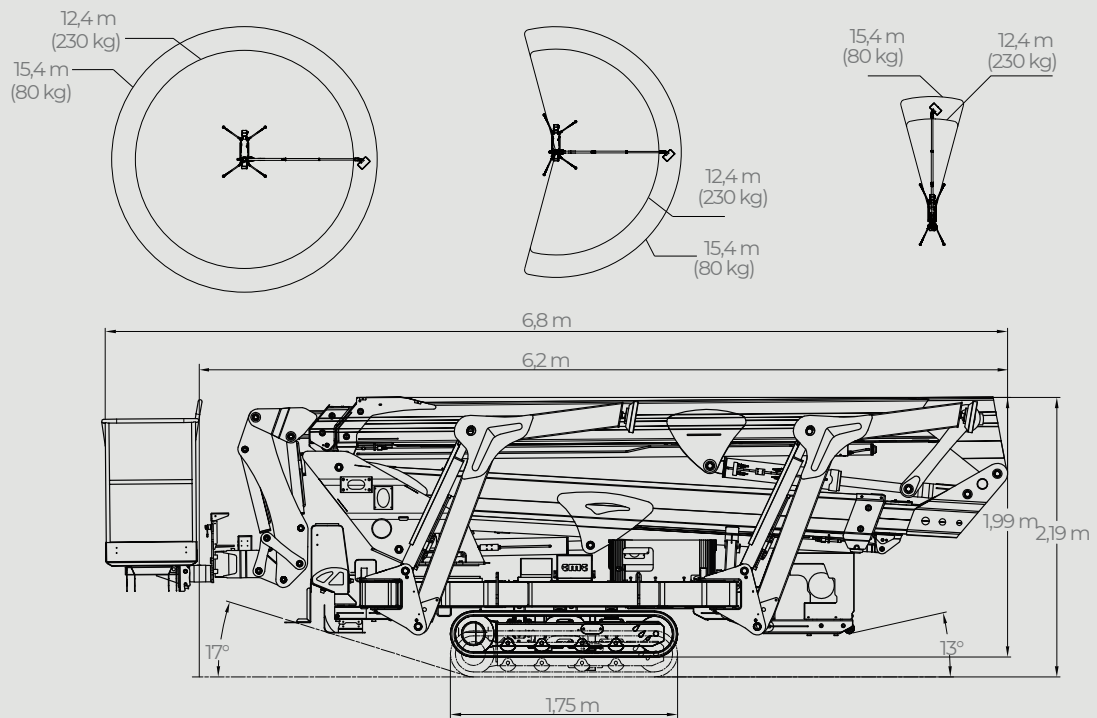


Main features

This platform has compact design and high-performance capabilities: 27.3m working height, 15.4m of horizontal outreach and the ability to work in negative, down to -6.7m. With four stabilisation areas, it can perform a wide range of tasks with outstanding efficiency and reliability.

Max. working height	27,3 m
Possibility of working in negative	-6,7 m
Max. outreach	15,4 m
Platform height	25,3 m
Max. load in basket	230 kg
Basket dimensions	1,7 x 0,7 x 1,1 m
Basket rotation	+/-90°
Turret rotation	+/- 200° (400° continuous)
Total weight	4094 Kg





*data may can change due to updates of components

TECHNICAL DATA

S30

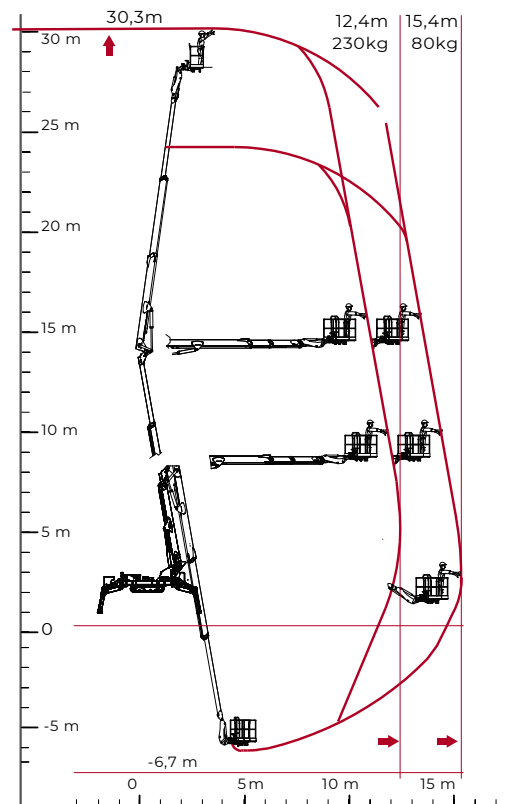
PERFORMANCE AND DIMENSIONION

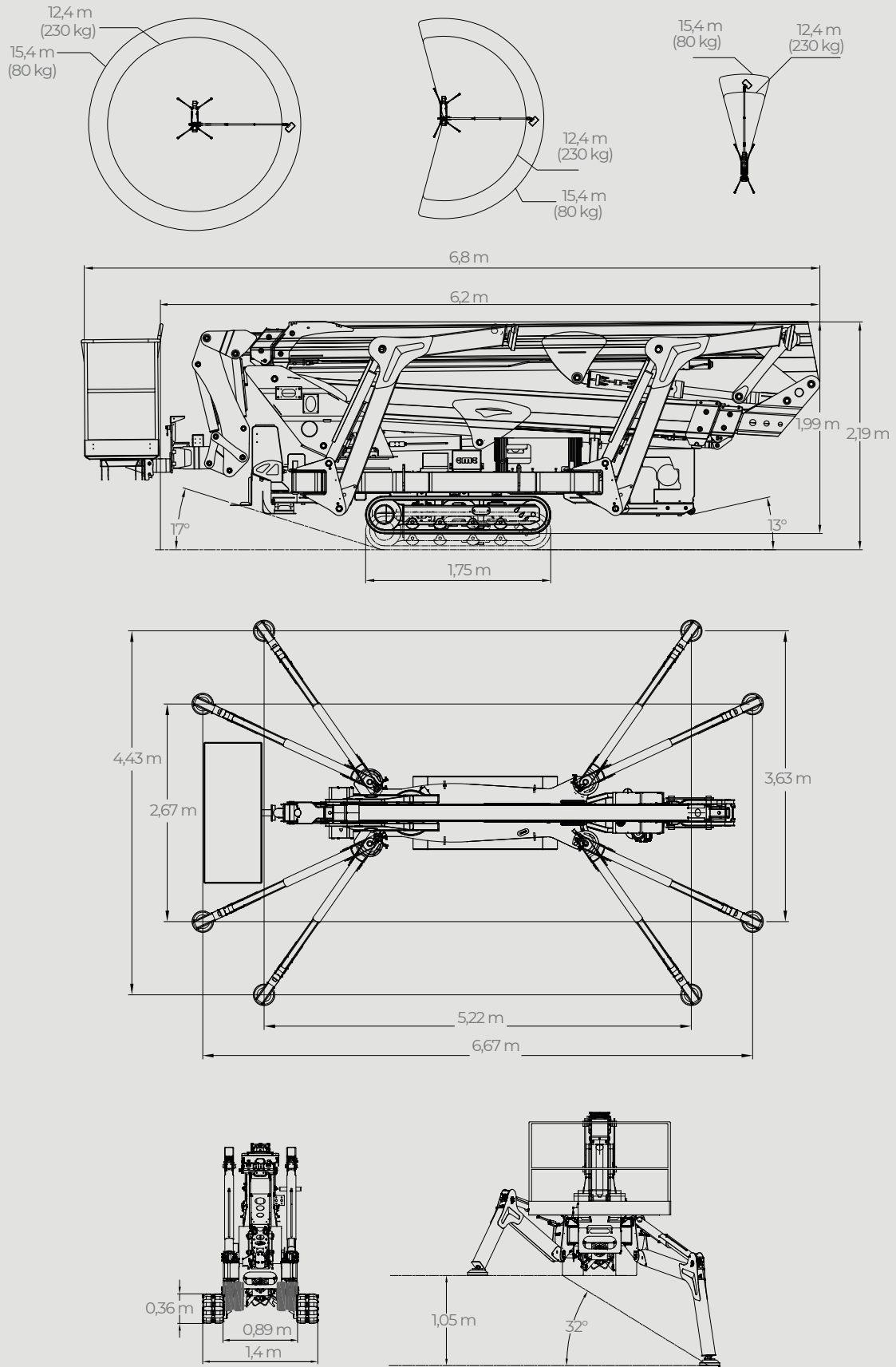


Main features

A bundle of power and technology capable of performing in any application. It has four stabilisation areas, two working areas and climbing outriggers for working on all types of terrain and reaching even the most difficult spots with its maximum working height of 30.3m, lateral outreach of 15.4m and the ability to work in negative down to -6.7m.

Max. working height	30,3 m
Possibility of working in negative	-6,7 m
Max. outreach	15,4 m
Platform height	28,3 m
Max. load in basket	230 kg
Basket dimensions	1,7 x 0,7 x 1,1 m
Basket rotation	+/-90°
Turret rotation	+/- 200° (400° continuous)
Total weight	4270 Kg





*data may can change due to updates of components

TECHNICAL DATA

S32

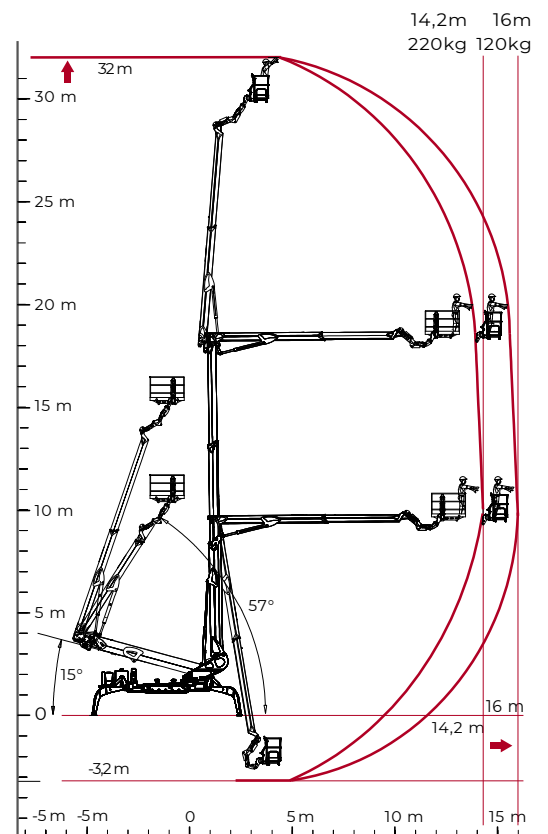
PERFORMANCE AND DIMENSIONION

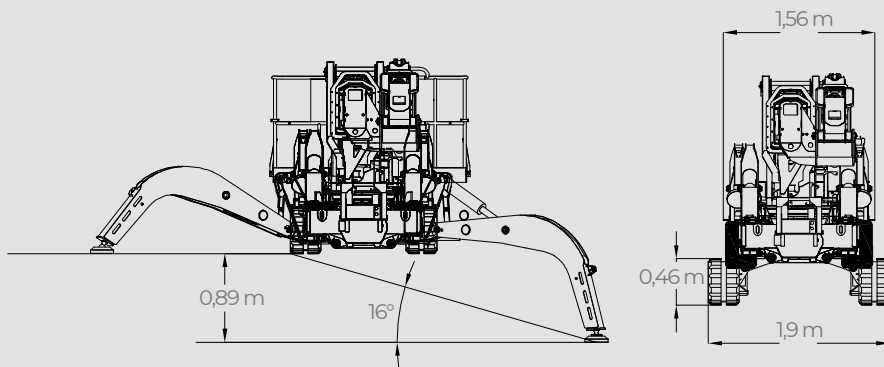
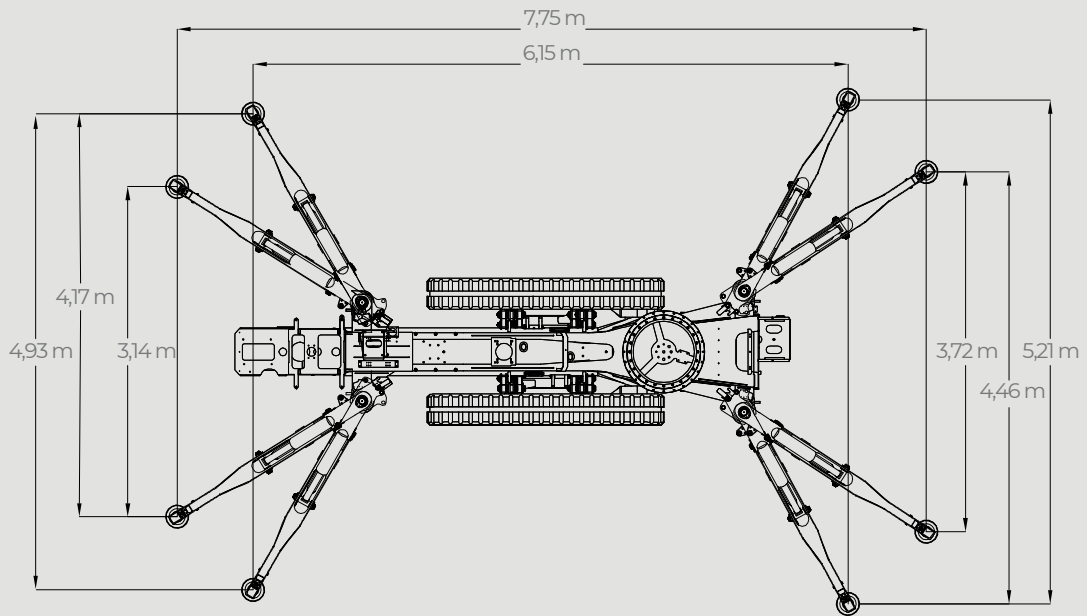
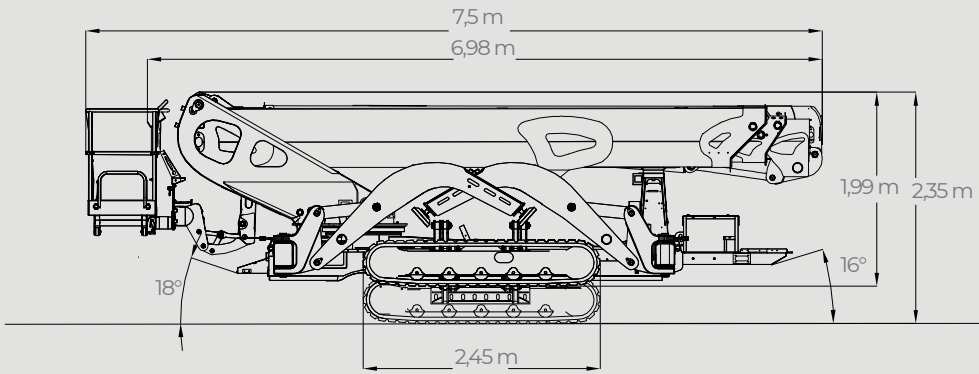
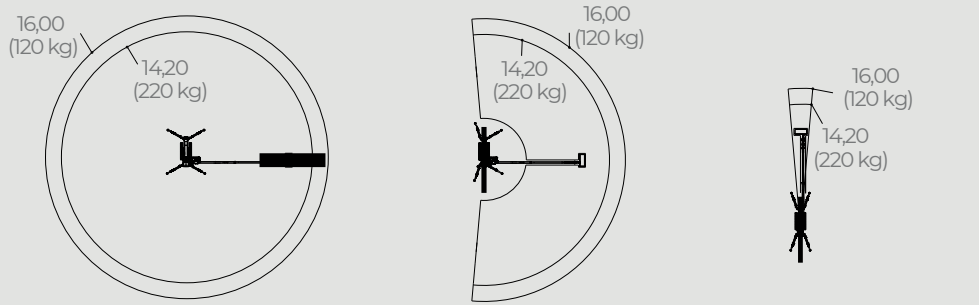


Main features

Astonishing numbers for this platform, which can reach the height of 32m, but also can work down to -3.2m, all guaranteed by an automatic guidance and control system which is the best result of CMC's most advanced technology research. The body machine has an incredibly compact design, with its tracks that can be adjusted in height and width and it's self-loading.

Max. working height	32 m
Possibility of working in negative	-3,2 m
Max. outreach	16 m
Platform height	30 m
Max. load in basket	220 kg
Basket dimensions	1,7 x 0,7 x 1,1 m
Basket rotation	+/- 90°
Turret rotation	+/- 200° (400°continuous)
Total weight	7240 Kg





*data may can change due to updates of components



CMC 332

CMC

LICENSED &



CMC SELF-PROPELLED CRAWLER PLATFORMS

F SERIES

MODEL	MAX. WORKING HEIGHT	MAX. OUTREACH	WEIGHT
S13F	12,9 m	8,5 m	1565 Kg
S15F	14,8 m	8,7 m	2378 Kg
S18F	17,78 m	11,15 m	2495 Kg

LC SERIES

MODEL	MAX. WORKING HEIGHT	MAX. OUTREACH	WEIGHT
S15	14,9 m	6,9 m	1820 Kg
S19E	18,7 m	9,3 m	2545 Kg
S19N	18,9 m	9,5 m	2435 Kg
S23	23 m	12,4 m	2865 Kg

HD SERIES

MODEL	MAX. WORKING HEIGHT	MAX. OUTREACH	WEIGHT
S19HD	18,7 m	11,4 m	2666 Kg
S22HD	21,6 m	12,5 m	3005 Kg

DP SERIES

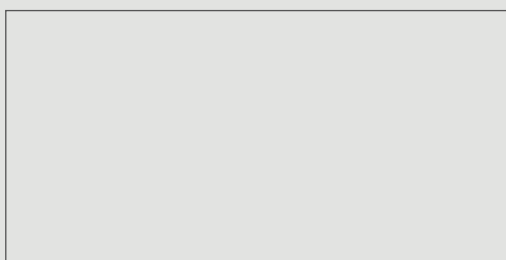
MODEL	MAX. WORKING HEIGHT	MAX. OUTREACH	WEIGHT
S27	27,3 m	15,4 m	4094 Kg
S30	30,3 m	15,4 m	4270 Kg
S32	32 m	16 m	7240 Kg

XL SERIES

MODEL	MAX. WORKING HEIGHT	MAX. OUTREACH	WEIGHT
S41	41 m	19 m	13460 Kg

i SERIES

MODEL	MAX. WORKING HEIGHT	MAX. OUTREACH	WEIGHT
i23	23 m	10 m	3930 Kg



CMC
THE SPECIALIFT

Via Bitritto, 119 - 70124 BARI - ITALY
Tel. +39 080 532 66 06 - Fax +39 080 536 85 41
www.cmclift.com - info@cmclift.com

Follow us on

