

CMC
THE SPECIALIFT

SERIE **i**
INSULATED





CMC 123

CMC 123

INSULATED

46KV

46KV INSULATED

SERIE i

INSULATED

Maximum performance, minimum electrical risk.

Safety reaches the highest levels with the spider platforms of the “i” series, insulated up to 46 kV, born from in-depth studies on the electrical risk and the desire to ensure at the same time maximum efficiency and the highest level of protection for those working on or near high voltage lines.

The single-man fiberglass basket, as well as the fiber insulators positioned on the aerial part, combined with the use of a special non-conductive oil and other insulated components, allow to minimise the risk of electrocution for the operator.

Added to this are the technological advantages that a CMC platform of the latest generation is able to offer, such as the automatic execution of most of the operations of control and stabilisation of the platform.



i23

ADVANTAGES



Maximum protection against electrical risk

The CMC "i" series platforms are insulated up to 46 kV thanks to their fibreglass basket, to the special insulating inserts placed between the different sections of the aerial part and to the use of a non-conductive oil and other insulated components.

Ease of transport

As high-performance as they are low in weight and compact in size, the CMC "i" series platforms are self-loading and easy to transport on trailers.



Ease of use

The "i" series platforms are equipped with the latest generation of radio remote control and a system that automatically performs stabilisation and levelling, automatic centring and self-loading operations.

FEATURES

Single-man fiberglass basket

Radio remote control
with color display



Electrically insulated
booms up to 46kV

Basket rotation
+/- 90° (180°)
by hydraulic
engine

Multiple stabilisation areas

Hydraulically adjustable
undercarriage in
height and in width.

Some available options

i23

Version with lithium battery (300 Ah)



Hybrid version (diesel engine + lithium batteries)



380V, 230V, 120V or 110V electric motor



Grey non-marking tracks



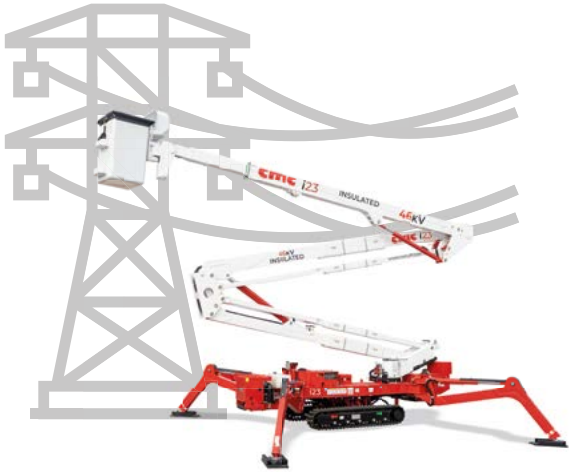
Remote connection with Sim Card and GPS Locator



Customised colours



CMC i SERIES PLATFORMS APPLICATIONS



Power line maintenance

Repair and maintenance of medium and high voltage cables and pylons.

**Management and maintenance
of industrial sites**
in particular installations for the
production of electrical energy.



Pruning of tall trees

where it is necessary to work near high-voltage lines.



CMCC 125

CMCC 125
INSULATED

49KN

50KV
HIGH VOLTAGE

CMCC 125

CMCC

TECHNICAL DATA

i23

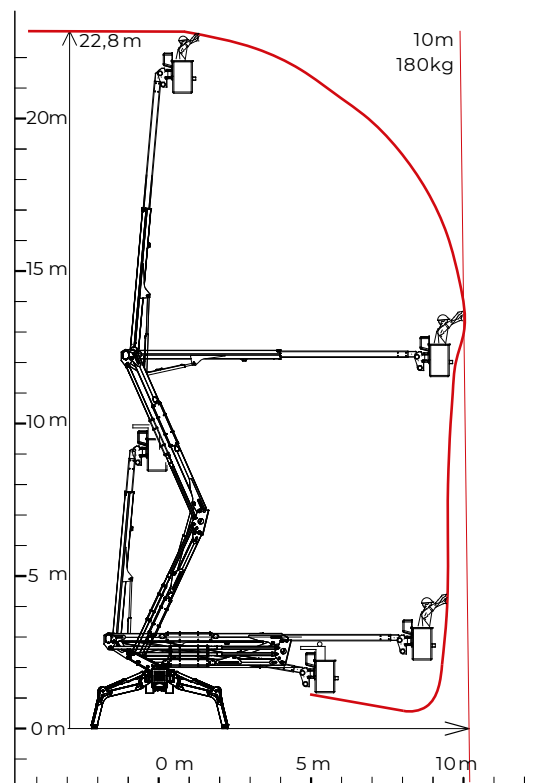
PERFORMANCE AND DIMENSIONS

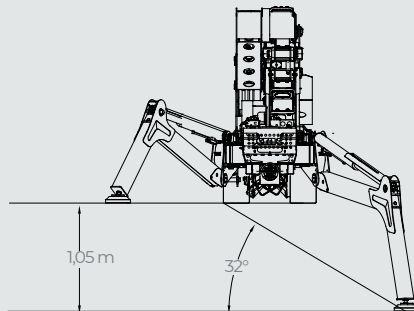
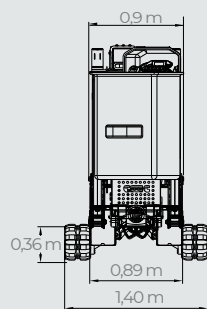
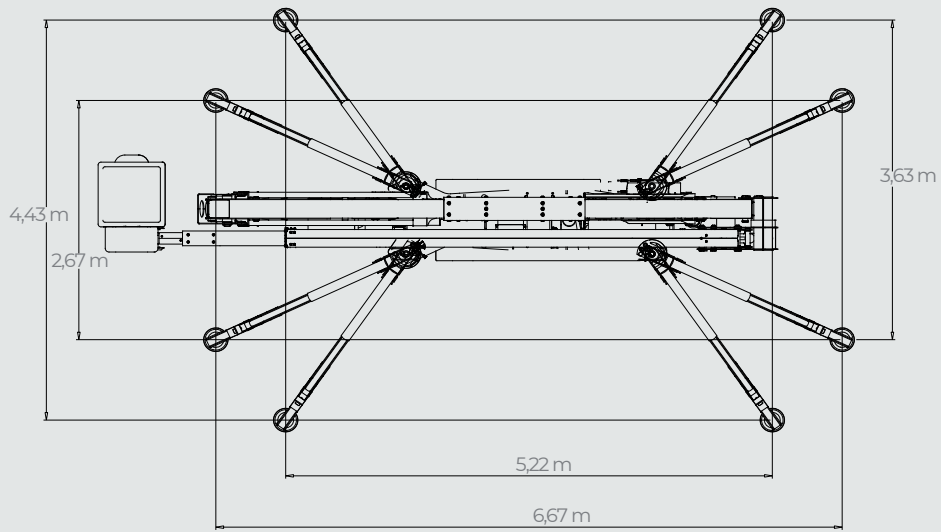
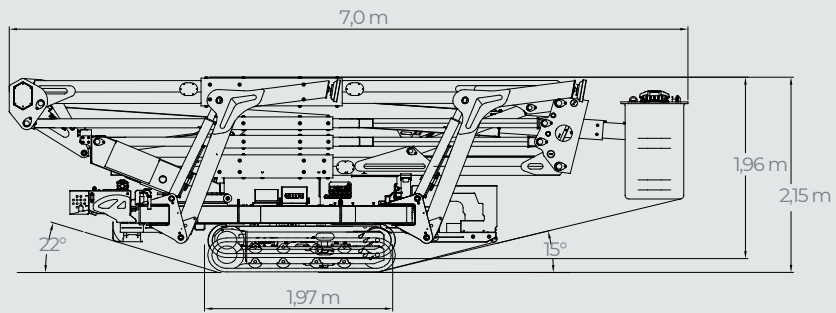
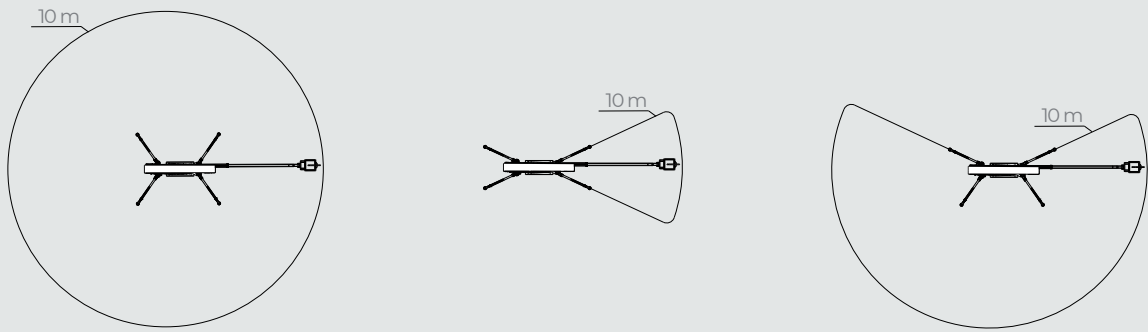


Main features

Electrically insulated up to 46 kV, the CMC i23 is a double pantograph geometric platform with the largest unrestricted outreach in its class. With its 23-metre working height, three stabilisation areas and automatic outrigger levelling, it can perform at its best in any conditions.

Maximum working height	22,8 m
Max. outreach	10 m
Max. load capacity in basket	180 kg
Basket dimensions	0,6 x 0,6 x 1,1 m
Basket rotation	+/- 90°
Turret rotation	+/- 200° (400° continuous)
Total weight	3930 Kg





*data may can change due to updates of components





CMC SELF-PROPELLED CRAWLER PLATFORMS

F SERIES

MODEL	MAX. WORKING HEIGHT	MAX. OUTREACH	WEIGHT
S13F	12,9 m	8,5 m	1565 Kg
S15F	14,8 m	8,7 m	2378 Kg
S18F	17,78 m	11,15 m	2495 Kg

LC SERIES

MODEL	MAX. WORKING HEIGHT	MAX. OUTREACH	WEIGHT
S15	14,9 m	6,9 m	1820 Kg
S19E	18,7 m	9,3 m	2545 Kg
S19N	18,9 m	9,5 m	2435 Kg
S23	23 m	12,4 m	2880 Kg

HD SERIES

MODEL	MAX. WORKING HEIGHT	MAX. OUTREACH	WEIGHT
S19HD	18,7 m	11,4 m	2685 Kg
S22HD	21,6 m	12,5 m	3025 Kg

DP SERIES

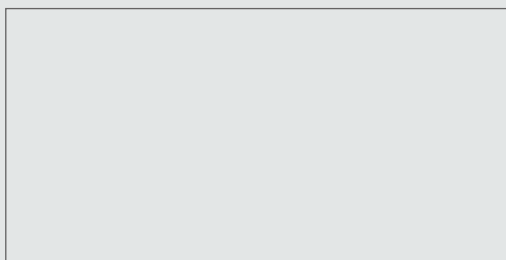
MODEL	MAX. WORKING HEIGHT	MAX. OUTREACH	WEIGHT
S27	27,3 m	15,4 m	4109 Kg
S30	30,3 m	15,4 m	4285 Kg
S32	32 m	16 m	7255 Kg

XL SERIES

MODEL	MAX. WORKING HEIGHT	MAX. OUTREACH	WEIGHT
S41	41 m	19 m	13460 Kg

i SERIES

MODEL	MAX. WORKING HEIGHT	MAX. OUTREACH	WEIGHT
i23	23 m	10 m	3930 Kg



CMC
THE SPECIALIFT

Via Bitritto, 119 - 70124 BARI - ITALY
Tel. +39 080 532 66 06 - Fax +39 080 536 85 41
www.cmclift.com - info@cmclift.com

Follow us on

