



**Bobcat**<sup>®</sup>

*One Tough Animal.*

AGRICULTURAL RANGE

# TELEHANDLERS

TL Series

🌐 Europe



# INTRODUCTION

# ONE TOUGH ANIMAL



### BOBCAT'S HISTORY

In 1958, Melroe Manufacturing Company introduced a compact front-end loader that evolved quickly into the M400, the world's first true skid steer loader. The company soon adopted what became the world-famous 'Bobcat' brand – and its success paved the way for the global compact equipment industry we know today.

### CENTER OF EXCELLENCE IN PONTCHÂTEAU, FRANCE

All Bobcat telescopic loaders are designed and produced at our Center of Excellence, an ISO 9001 certified factory that applies outstanding quality standards.



### BOBCAT TODAY

With more than 60 years of experience in creating material handling machines, Bobcat's new R-Series machines bring a range of smart functions and advanced ergonomics, boosting the operator's comfort and productivity.

### OUR MISSION

We empower operators to accomplish more, while working in the toughest conditions and tightest situations. When our customers have the will, we provide the way.



# PRODUCTIVITY MEETS SUPERIOR COMFORT

## MEET YOUR NEW WORKMATE

Treat yourself to a superior machine that combines all-day comfort, superior productivity and dependability, intelligent features, and a robust build with intuitive operation and excellent all-round ergonomics.

### Smart boom functions\*:

- Automatic suspension
- Floating mode
- Automated movements
- All Speeds adjustment
- Lifting height limit

Self-cleaning cooling system thanks to the automatic reverse fan

Stage V Bobcat engine with up to 135 hp and 500 Nm torque

Class-leading breakout force up to 7 tonnes

Quick and easy window cleaning, mirror de-icing and windshield demisting

4 steering modes\*:  
2-wheel steer, 4-wheel steer, Crab steer, Semi-crab steer

Oil-immersed axles with Limited Slip Differential



Quick couplers with automatic pressure release, drain line and an electric socket\*

Best-in-class boom speeds with flow sharing valve bank to combine all hydraulic functions

Cushioning of all boom movements

Exceptional panoramic visibility

- ### 5 drive modes:
- Smooth drive
  - Dynamic drive
  - Flex drive
  - ECO mode
  - Creeping mode

High Flow 190 l/min load sensing pump on HF models maximizes productivity

Automatic parking brake for enhanced safety & operator convenience

Easy cab access

Shielded design protects all components

\*Valid for the AGRI Pack version



## PREMIUM WORKSPACE

All-new, roomy cab with loads of comfort features, including a seat with dynamic suspension and heated/cooled storage compartments.

P.7



## INTUITIVE & SMOOTH OPERATION

Thanks to the intelligent cab layout, color-coded control elements, and an all-in-one joystick with improved ergonomics.

P.7



## EFFICIENCY AND PRODUCTIVITY

Best-in-class boom speeds and a range of smart features allow you to work faster and grow your business.

P.8



## STABLE BY NATURE

You can handle heavy loads at height easily and safely, as the machine hugs the ground.

P.8



This image shows the interior of large models.

# FIRST-CLASS USER EXPERIENCE

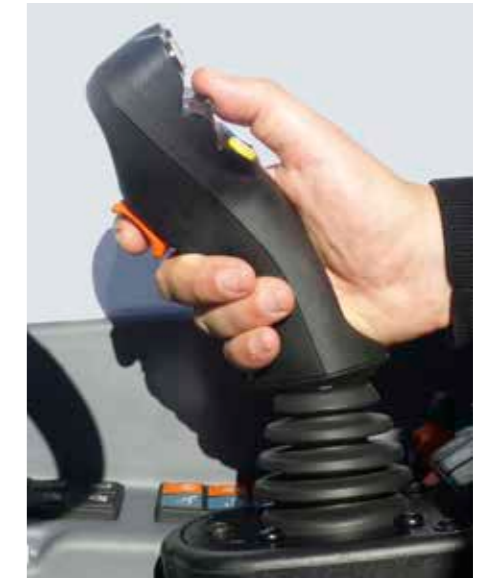


### ▶ 360° VISIBILITY

Enjoy a full view of the job site thanks to a fully glazed cab, thin roof grid, sloped hood and low dashboard. Up to 8 LED work lights memorize their last configuration, while the electric mirror is equipped with a de-icing function.

### ▶ ALL-IN-ONE SMART JOYSTICK

Mounted on the seat armrest (available on Large models). It controls the boom and the machine's speed and direction, shakes the bucket, floats attachments, and operates the Auto Grab function.



### ▶ INTUITIVE & SMOOTH OPERATION

Controls are within easy reach, and their intuitive layout and color-coding allow you to find everything quickly. Individual control elements are backlit and use the same color-coding, preserving their appearance in the dark.

### ▶ INTERACTIVE DISPLAY

Streamlined information is displayed on an interactive 7-inch touch screen\* with built-in radio and a phone page. For increased safety and easier manoeuvring, the feed from the rear camera is displayed when reversing.

\*Only a 5-inch display available for TL25.60 AGRI



### ▶ QUICK CLEANING FUNCTION

Clean all windows within seconds. All wipers and washers are activated by pushing a single button.



### ▶ EASY CAB ACCESS

Getting in and out of the new cab is very convenient, thanks to the wide door opening, a single notched step, numerous handles, and unobstructed access to the new Grammer Maximo air seat.

# DESIGNED FOR FARMING

# SMARTER AND FASTER



## INCREASED EFFICIENCY AND PRODUCTIVITY

The best-in-class boom speeds, powerful transmission, and automated boom movements allow operators to complete their work more quickly and efficiently.

## CONFIDENCE-INSPIRING STABILITY

Handle heavy loads at any height easily and safely, thanks to the well-balanced construction, low center of gravity, heavy counterweight, and long wheelbase.

## AUTOMATED BOOM FUNCTIONS

### Bucket shaking

The joystick position determines the type of bucket shaking:

- NEUTRAL: shaking gradually empties the bucket
- LEFT: crowding better distributes the material in the bucket
- RIGHT: dumping removes sticky material from the bucket

### Max lift angle

Prevent collisions in low ceiling buildings by setting the maximum boom angle.

### Return to ground

Set the angle of the retracted boom. As the boom is lowered, it self-retracts and stops in the set position, avoiding damage to the attachment or the ground.



## SMOOTH & DYNAMIC DRIVE

To fully exploit the high productivity of Bobcat R-Series telescopic loaders, the operator can quickly shift from Smooth drive to Dynamic drive: the faster forward and backward shifting, and more rapid acceleration and deceleration phases, deliver more rapid machine performance as required.

## FLEX DRIVE

The Flex drive mode uses the hand throttle to bring a new dimension to driving by managing forward speed independently from the engine speed. You can achieve a whole new level of efficiency and precision!



# BUILT TO LAST

## ▶ EVERYDAY TOUGHNESS

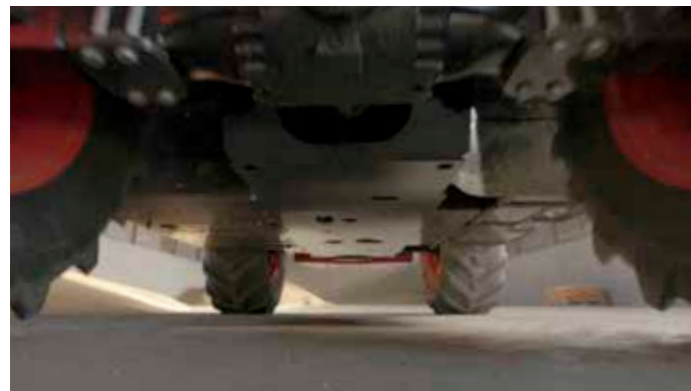
A machine you can depend on all day, every day – with a robust boom and Bobcat loaders' signature box-welded frame design with a shielded bottom plate to protect all vital components.

## ▶ RIGOROUS QUALITY INSPECTION

Each machine produced goes through rigorous and extensive testing, including: regulatory checks, performance compliance, quality inspections and all machine functionalities.



Full & easy access to the engine compartment



Shielded bottom plate



Fan inverter with manual & auto modes

# THERE'S NO TIME FOR DOWNTIME. STAND UP TO THE HARSHTEST CONDITIONS. DAY AFTER DAY.



## ▶ MACHINE IQ

The Bobcat® Machine IQ telematics system allows you to easily control your fleet from wherever you are.

- GPS location and history
- Fault code alerts
- Maintenance plan
- Fuel level and fuel consumption



## ▶ BOBCARE PM

A long-running machine starts with proper planned maintenance. Which also helps protect against repair costs and unplanned failures when you're counting on your machine to work.

- Avoid risk by preventing major repairs and complete failures.
- Accomplish more by reducing downtime and increasing your productivity and profitability.

# 3 YEAR WARRANTY

## ▶ STANDARD 3-YEAR MANUFACTURER WARRANTY

The level of excellence achieved on Bobcat Telescopic Loaders leads Bobcat Company to offer a 3-year standard warranty (or 3 000 hours, whichever occurs first).



## ▶ PROTECTION PLUS® EXTENDED WARRANTY

Enjoy total peace of mind with a Protection Plus® extended warranty. Providing the same level of protection as the standard warranty, Protection Plus also reflects different customer needs and expectations by offering a choice of durations and annual operating hours. According to your needs, you can benefit from the coverage for up to 5 years or 6 000 engine hours. And Protection Plus is transferrable – so it will likely increase your machine's resale value.



# CHOOSE YOUR ANIMAL



## LARGE

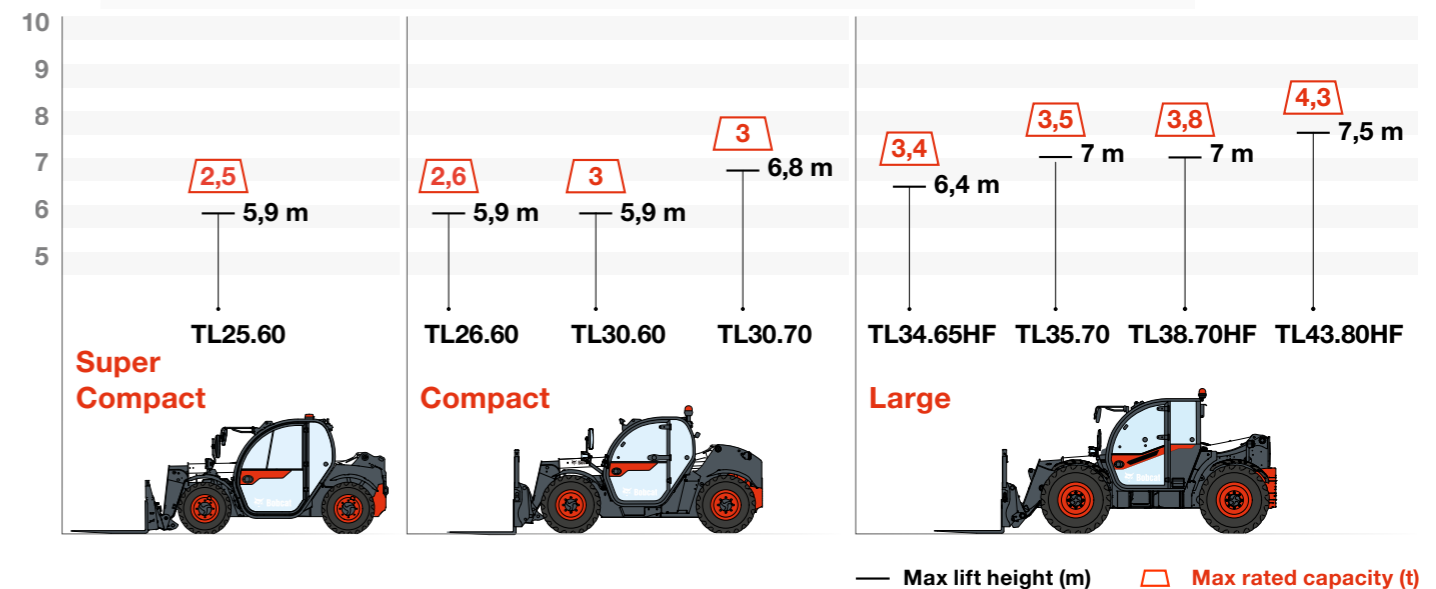
- **PRODUCTIVITY BEASTS**  
 Designed for heavy-duty jobs without compromising on efficiency:
- 190 l/min High Flow technology
  - Lifting performance up to 4.3 tons and 7.5 m

## SUPER COMPACT

- **COMPACTNESS AT ITS FINEST**  
 Best performance in confined areas.
- Overall width of only 1 832 mm and height of 1 930 mm
  - Lifting performance up to 2.5 tons and 6 m
  - Same spacious cab as larger models for maximum comfort
  - Amazing turning radius for excellent maneuverability

## COMPACT

- **POWERFUL YET COMPACT**  
 Ideal combination of compact dimensions and performance
- Narrow frame of 2.1 m
  - Lifting performance up to 3 tons and 6.8 m
  - Overall machine height can range from 2 140 mm to 2 375 mm by combining a Low/High mounted cab with 20"/24" tires



— Max lift height (m)    ◻ Max rated capacity (t)

# AGRI PACKS FOR SUPER COMPACT

AGRI PACKS	★	★★	★★★
<b>PERFORMANCE</b>			
Bob-Tach™ carriage with manual attachment lock	✓	✓	-
Bob-Tach™ carriage with hydraulic attachment lock (Boom wiring harness mandatory)	•	•	✓
Quick-Tach carriage with manual attachment lock	•	•	•
Quick-Tach carriage with hydraulic attachment lock (Boom wiring harness mandatory)	•	•	•
Front hydraulic auxiliary & without boom wiring harness	✓	-	-
Front hydraulic auxiliary & boom wiring harness and controls in cab	•	✓	✓
Boom float (smart joystick mandatory)	•	•	-
Boom suspension and boom float (smart joystick mandatory)	•	•	✓
Fan inverter with manual & auto modes	✓	✓	✓
<b>LIGHTS</b>			
Halogen work lights on top of the cab (2 front + 1 rear)	✓	✓	-
Halogen work lights on boom (×2)	•	✓	-
LED work lights (3 on the cab + 2 on boom)	•	•	✓
LED work lights on the right mirror bracket (×2) (available only with Cab+ AGRI)	•	•	•
LED compact & magnetic rotating beacon	•	•	•
Light for registration plate	✓	✓	✓
<b>SAFETY</b>			
Standard back-up alarm	✓	-	-
White noise back-up alarm	•	✓	✓
<b>TIRES, TRAVEL &amp; TOWING</b>			
Standard tires – set of 4 × 12-16.5" (general purpose)	✓	✓	✓
Rear mirror	•	✓	✓
Transmission 25 to 30 km/h (according to tires selection)	✓	✓	✓

✓ = standard • = option - = not available

AGRI PACKS	★	★★	★★★
<b>CAB</b>			
Air suspension seat	✓	✓	✓
Heating & ventilation	✓	-	-
Air conditioning (HVAC)	•	✓	✓
Standard joystick	✓	-	-
Standard joystick & FNR lever	•	✓	-
Smart joystick	•	•	-
Smart joystick & FNR lever	•	•	✓
Standard 5" display with loudspeakers	✓	-	-
Standard 5" display with Bluetooth radio, microphone & loudspeakers	•	✓	✓
Hand throttle and flex drive	•	•	✓
Rear video camera	•	•	•
Cup holder	•	•	✓
Electric mirror with de-icing on right-hand side (available only with Cab+ AGRI)	•	•	•
Cab+ (phone holder, sun visor, fixed armrest, telescopic & tilting steering column, PVC document holder)	✓	-	-
Cab+ AGRI (Cab+, deluxe steering wheel, keychain, 3 pins electric socket, 4 steering modes (2WS/4WS/Crab/semi Crab), function & work light keypads)	•	✓	✓
<b>MISCELLANEOUS</b>			
Tool box	•	•	✓
Dust protection on boom	•	•	•
Easy greasing	•	✓	✓

# AGRI PACKS FOR COMPACT AND LARGE

AGRI PACKS	★	★★	★★★	★★★★
<b>PERFORMANCE</b>				
C&L Quick-Tach carriage with manual attachment lock	✓	✓	-	-
C&L Quick-Tach carriage with hydraulic attachment lock	•	•	✓	✓
C&L Boom wiring harness and controls in cab	•	✓	✓	✓
C&L Auto Boom suspension	•	✓	✓	✓
C&L Auto Boom suspension and boom float (smart joystick mandatory)	•	•	✓	✓
C&L Fan inverter with manual & auto modes	✓	✓	✓	✓
<b>LIGHTS</b>				
C&L 4 halogen work lights	✓	-	-	-
C&L 6 halogen work lights	•	✓	-	-
C&L 6 LED work lights	•	•	✓	✓
C&L LED work lights on the right mirror bracket (×2) (available only with Cab+ AGRI)	•	•	•	✓
C&L Halogen road lights & Beacon	✓	✓	✓	-
C&L LED road pack (road lights + rotating beacon + reversing light)	•	•	•	✓
<b>SAFETY</b>				
C&L Standard back-up alarm	✓	-	-	-
C&L White noise back-up alarm	•	✓	✓	✓
<b>TIRES, TRAVEL &amp; TOWING</b>				
C Alliance 400/70 R20 A580 steel-belted radial tires	✓	✓	✓	✓
L Alliance 460/70 R24 A580 steel-belted radial tires	✓	✓	✓	✓
L European tractor homologation	✓	✓	✓	✓
C&L Rear mirror	•	✓	✓	✓
C&L Rear auxiliary hydraulic line (double action)	•	•	•	✓
C&L Support for registration plate	✓	✓	✓	✓
C&L 30 km/h speed (with 24" tires) (except TL43.80HF)	✓	-	-	-
C&L 40 km/h speed (with 24" tires)	•	✓	✓	✓
C&L Rotating tow hitch (including rear electric socket)	✓	✓	✓	✓
C&L Trailer brake	•	•	•	•

AGRI PACKS	★	★★	★★★	★★★★
<b>CAB</b>				
C Air suspension seat	✓	✓	✓	✓
L Air suspension seat	✓	-	-	-
L Grammer air suspension seat with heating and left armrest	•	✓	-	-
L Grammer air suspension seat with heating, left armrest and right armrest with joystick	•	•	✓	✓
C&L Air conditioning (HVAC)	•	✓	✓	✓
L Lunch box (heated and refrigerated if air conditioning equipped)	•	•	✓	✓
C&L Standard joystick & FNR lever	✓	✓	-	-
C&L Smart joystick & FNR lever	•	•	✓	✓
C&L Standard 5" display with radio ready & loudspeakers	✓	-	-	-
C&L Standard 5" display with Bluetooth radio, microphone & loudspeakers	•	✓	-	-
C&L 7" touch display (Bluetooth radio with microphone & job manager)	•	•	✓	✓
C&L Hand throttle and flex drive	•	•	✓	✓
C&L Rear video camera	•	•	•	✓
L Lateral window wiper with washer	•	•	•	✓
C&L Electric mirror with de-icing on right-hand side (available only with Cab+ AGRI)	•	•	•	✓
C&L Forward/reverse drive lever on steering wheel	•	✓	✓	✓
C&L Cab+ (phone holder, sun visor, foamed armrest, telescopic & tilting steering column, PVC document holder)	✓	-	-	-
C&L Cab+ AGRI ('Cab+' + Deluxe steering wheel, key-chain, telescopic & tilting steering column, Tractor 3-pin socket, 4 steering modes, work lights keypad, smart keypad with return to ground, max Lift angle)	•	✓	✓	✓
<b>MISCELLANEOUS</b>				
C&L Tool box	•	•	✓	✓
C&L Dust protection on Boom	•	•	•	✓
C&L Easy greasing	•	✓	✓	✓



Lateral window wiper with washer | FNR lever | Tool box



Dust protection on boom | Electric mirror with de-icing on right-hand side | Rear video camera



Hand throttle and flex drive | Hydraulic attachment locking using a dedicated auxiliary line | LED road pack: • road lights • rotating beacon • reversing light



Standard 5" display with Bluetooth radio, microphone & loudspeakers | 7" touch display (Bluetooth radio with microphone & Job manager) | Smart joystick



Enjoy many improvements to the R-Series and the new air-suspension seat. This pack targets agricultural customers requiring essential farming functionalities.



Enjoy a significant upgrade in comfort. This pack targets machinery cooperatives and farmers who want a normal level of functionality.



This pack delivers a much higher level of comfort and benefits from many innovative technical features. It targets farmers who use their machine intensively every day.



The full package - containing ALL of the new comfort and productivity features of this new generation. This configuration is the pinnacle of Bobcat's innovation and excellence in farming machinery.



\*4 Star Agri Pack is available only for Compact & Large models  
C = Compact models: TL26.60, TL30.60, TL30.70 | L = Large models: TL35.70, TL34.65HF, TL38.70HF, TL43.80HF



# MULTI-TOOL CARRIER

## ▶ THE ABILITY TO DO MORE

Get more versatility and efficiency with Bobcat® attachments and tools.

- Match performance to your Bobcat machine
- Work harder with stronger components and construction
- Rest easy with the 12-month warranty on every genuine Bobcat attachment

## ▶ ATTACHMENTS

- Angle brooms
- Augers
- Bale handlers
- Bale spikes
- Boom trusses
- Crane jibs
- Fixed forks
- Floating forks
- Fork grapples
- Grapple buckets
- Light material buckets
- Multipurpose sweepers
- Pressure washers
- Root grapples
- Sweepers
- Tillers



Light material buckets



Fork grapples



Bale spikes



Bale handler with tubes



Grapple buckets

## ▶ AUTO GRAB

No need to keep your thumb on the roller to open or close the grapple bucket or any kind of clamp attachment. Instead, simply over-press the roller - and the action is carried out automatically.



## ▶ JOB MANAGER

The Job Manager functionality allows the operator to save and recall custom settings for different attachments to quickly set the best machine settings.



# ADAPTABLE BY NATURE

## ▶ TL25.60: VERSATILITY ROOTED IN DESIGN

The Bob-Tach™ interface that comes as standard allows you to make use of the Bobcat Skid-Steer attachments range. Making this model the most versatile Super Compact Telehandler on the market. Moreover, the Attachment Control Device lets you connect to even the most advanced attachments – so you can work in many different applications.



Pressure washers



Pallet forks



Grapple buckets



Multipurpose sweepers

# SPECIFICATIONS

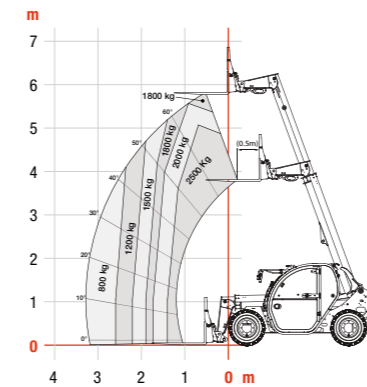
SPECIFICATIONS							
	SUPER COMPACT & COMPACT MODELS			LARGE MODELS			
PERFORMANCE	TL25.60	TL26.60 / TL30.60	TL30.70	TL35.70	TL34.65HF	TL38.70HF	TL43.80HF
Maximum lift capacity	2 500 kg	2 600 / 3 000 kg	3 000 kg	3 500 kg	3 400 kg	3 800 kg	4 300 kg
Maximum lift height (24" tires)	5.9 m (20" tires)	5.9 m	6.8 m	7.0 m	6.4 m	7.0 m	7.5 m
Maximum forward reach (24" tires)	3.3 m (20" tires)	3.0 m	3.9 m	3.9 m	3.3 m	3.9 m	4.0 m
Tilt breakout force (ISO 8313)	3 300 daN	4 600 daN	4 600 daN	6 200 daN	6 200 daN	6 200 daN	7 000 daN
<b>MASS</b>							
Machine mass (unladen & standard tires)	4 308 kg	4 840 / 5 260 kg	5 564 kg	7 215 kg	6 445 kg	7 330 kg	7 985 kg
Max. towable mass with trailer braking system	–	17 000 kg			19 000 kg		
<b>ENGINE</b>							
Make / model / Emission stage	Bobcat / D24 / Stage V			Bobcat / D34 / Stage V			
Number of cylinders / Displacement	4 cylinders / 2.39 l			4 cylinders / 3.4 l			
Rated power (ISO 14396)	54.6 kW (75 HP)		74 kW (100 HP)			101 kW (135 HP)	
Maximum torque	280 Nm (at 1 600 RPM)		430 Nm (at 1 400 RPM)			500 Nm (at 1 400 RPM)	
<b>DIMENSIONS</b>							
Standard tires	Camso 12-16.5"	Alliance 400/70 R20 A580		Alliance 460/70 R24 A580			
Overall width	1 832 mm	2 100 mm		2 370 mm			
Overall length to forks face	3 989 mm	4 507 mm	5 056 mm	4 869 mm	4 669 mm	4 869 mm	4 975 mm
Overall height* with Low Mounted Cab	–	2 140 (20") / 2 225 (24") [mm (tires)]					
Overall height* with High Mounted Cab	1 930 mm (16.5" tires)	2 290 (20") / 2 375 (24") [mm (tires)]		2 373 mm (20") / 2 457 (24") [mm (tires)]		2 457 mm	
Ground clearance	250 mm (16.5" tires)	348 mm (24" tires)		430 mm (24" tires)			
Wheelbase	2 360 mm	2 820 mm		2 870 mm			
External turning radius (with standard tires)	3 235 mm	3 717 mm		3 714 mm			
<b>DRIVE SYSTEM</b>							
Transmission	Continuous variable hydrostatic transmission with electronic regulation & 4 wheel drive						
Main drive	Hydrostatic motor			Hydrostatic motor + 2 speed gearbox			
Number of speeds (forward and backward)	2			4			
Max. speed High range	30 km/h (20" tires)	40 km/h (24" tires)					
Steering modes	4 steering modes with automatic wheel realignment 2 wheel steering / 4 wheel steering / Crab-steer / Semi-crab steer (optional)						
<b>HYDRAULIC SYSTEM</b>							
Pump type	Gear pump with LS valve			LS piston pump with electric displacement limiter			
Valve bank	Flow sharing valve Electro proportional control	Open center with flow sharing & flow compensators technology			Close center with flow sharing & flow compensators technology		
Max. pump capacity	80 l/min	100 l/min			190 l/min		
Max. working pressure	250 bar			255 bar			
Max. flow output at front auxiliary output	80 l/min	90 l/min	100 l/min	150 l/min			
Max. flow output at rear auxiliary output	–	20 l/min	100 l/min	150 l/min			
<b>BRAKING SYSTEM</b>							
Service brake	Oil-immersed discs						
Parking and emergency brake	Passive brake with automatic actuation						
<b>FLUID CAPACITIES</b>							
Fuel	65 l	115 l		138 l			
AdBlue	–	22.4 l		28.8 l			
Hydraulic	70 l	87 l		105 l	126 l		
<b>BOOM CYCLE TIMES</b>							
Boom raising	5.6 s	5.3 s	5.3 s	8 s	4.9 s	4.9 s	6.5 s
Boom lowering	4 s	4 s	4 s	6 s	4.3 s	4.3 s	5 s
Boom extension	5.4 s	5 s	6.3 s	7.1 s	3.8 s	4.8 s	5 s
Boom retraction	3.4 s	3.6 s	4.2 s	6.5 s	3.7 s	4.9 s	4.5 s
Crowding	2.9 s	2.5 s	2.5 s	3 s	2.3 s	2.3 s	2.3 s
Dumping	2.7 s	2.4 s	2.4 s	2.7 s	2.5 s	2.5 s	2 s

\*with roof wiper

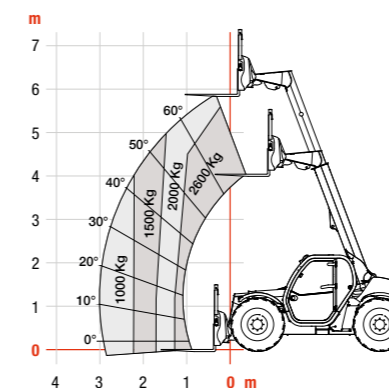
# SUPER COMPACT & COMPACT MODELS

# LARGE MODELS

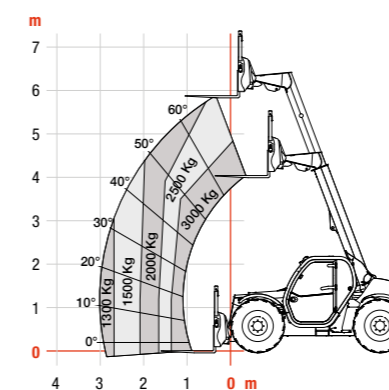
▶ TL25.60



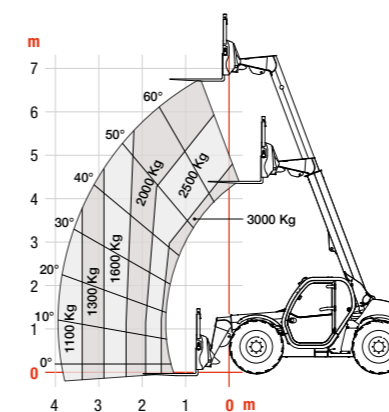
▶ TL26.60



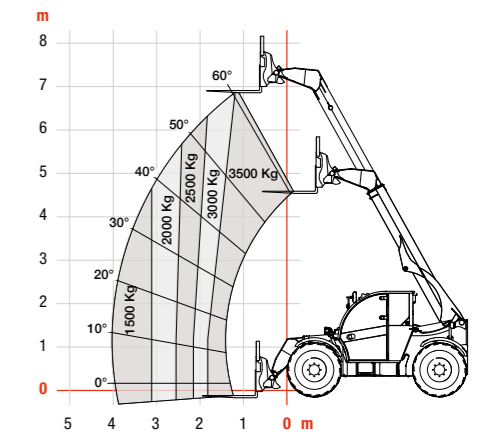
▶ TL30.60



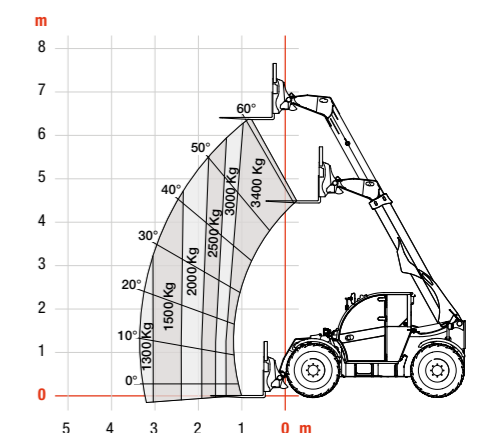
▶ TL30.70



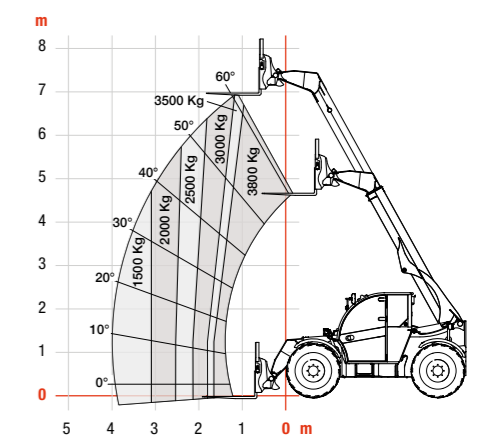
▶ TL35.70



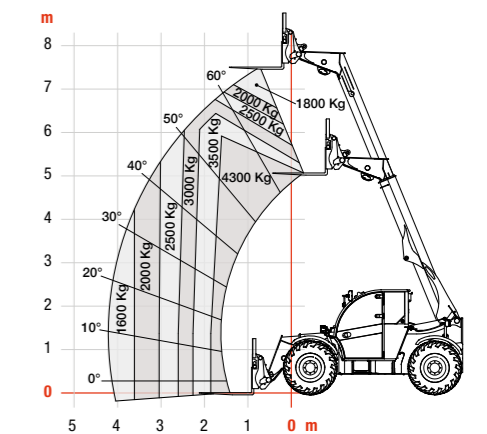
▶ TL34.65HF



▶ TL38.70HF



▶ TL43.80HF



# FINANCING OPTIONS

## 24, 36, OR 48 MONTH FINANCING\*

Take advantage of 24, 36 or 48 month financing programs starting from **0% interest** and improve your cashflow.

Ask your dealer for the financing offers available.

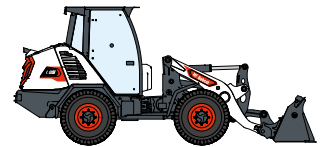
120 MACHINES / 150 ATTACHMENT FAMILIES / 1 TOUGH ANIMAL



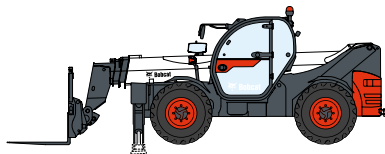
SKID-STEER  
LOADERS



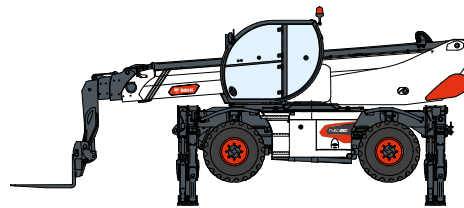
COMPACT TRACK  
LOADERS



COMPACT WHEEL  
LOADERS



TELEHANDLERS



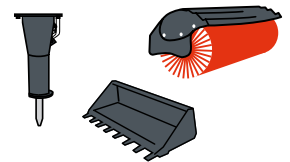
ROTARY TELEHANDLERS



LIGHT COMPACTION  
EQUIPMENT



COMPACT  
EXCAVATORS



ATTACHMENTS



SMALL ARTICULATED  
LOADERS



MINI TRACK  
LOADER



MOWERS



COMPACT  
TRACTORS

**DOOSAN**

Bobcat is a Doosan Company. Doosan is a global leader in construction equipment, power & water solutions, engines, and engineering proudly serving customers and communities for more than a century. | Bobcat and the Bobcat logo are registered trademarks of Bobcat Company in the United States and various other countries. ©2023 Bobcat Company. All Rights Reserved.



**Bobcat**®

\*Financing options may vary by country and dealer. Always ask your dealer about currently available financing options. Terms and conditions may apply.

Doosan Bobcat EMEA, U Kodelky 1810, 263 12 Dobříš, Czech Republic